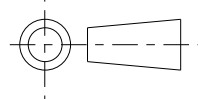


ISS.	DATE	E.C.N.	DESCRIPTION
1	29-Jun-10		FIRST ISSUE
1A	18-Apr-11	04/11/1296	UPDATE DIMENSIONS & NOTES TO STANDARD FORMAT
1B	12-Mar-12	03/12/1331	REDUCE GATE LENGTH FROM 16.0 MM TO 15.0MM

© 2011 CTP-COIL  
ALL DIMENSIONS IN mm



**CUSTOMER DRAWING**



CARCLO TECHNICAL PLASTICS (SLOUGH) LTD.  
103 BUCKINGHAM AVE, SLOUGH  
SL1 4PF, ENGLAND  
TEL: +44 1753 575011 FAX: +44 1753 811359  
e-mail: design@carclo-optics.com

GENERAL TOLERANCES (UNLESS STATED)

LINEAR	ANGULAR
X +/- 0.25	X +/- 1°
X.X +/- 0.1	X.X +/- 0.5°
X.XX +/- 0.05	X.XX +/- 0.1°

CUSTOMER

CARCLO

TITLE

30MM LED OPTIC  
ELLIPTICAL BEAM

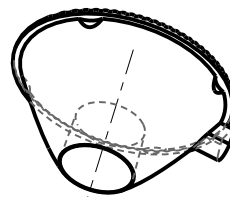
DRAWN	BB	DATE	31-Jul-09
-------	----	------	-----------

CHK'D	AB	DATE	20-Mar-12
-------	----	------	-----------

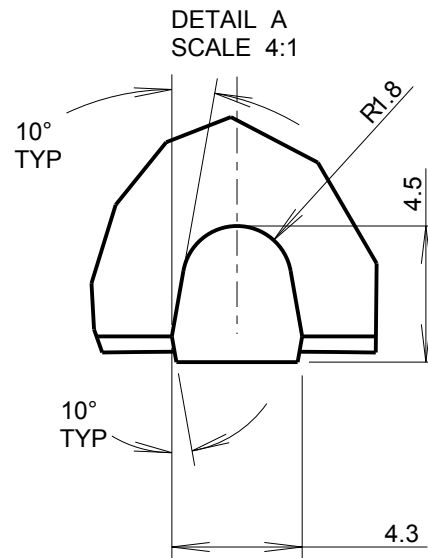
APP'D	PW	DATE	20-Mar-12
-------	----	------	-----------

SCALE	2:1	COIL PART No.	10759
-------	-----	---------------	-------

SIZE	A4	COIL DRG. No.	60580	SHEET	2 OF 2
------	----	---------------	-------	-------	--------



SCALE 1:1  
GENERAL VIEW



MATERIAL: POLYCARBONATE

