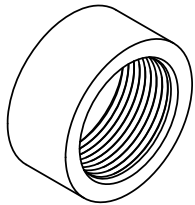


8 7 6 5 4 3 2 1

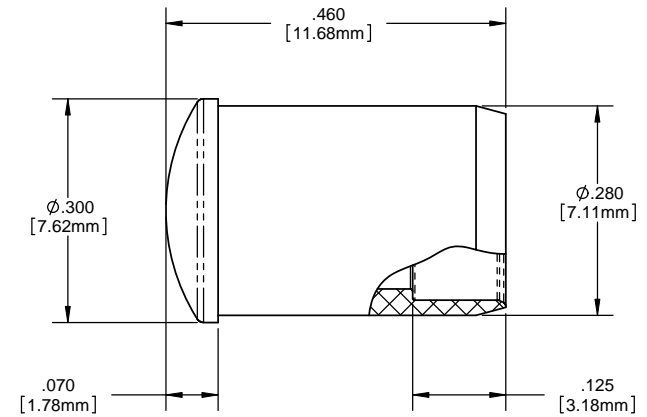
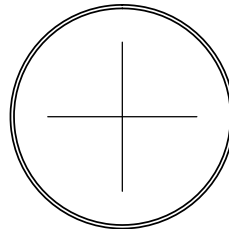
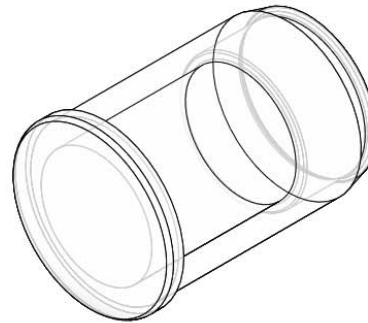
- NOTES:**
- MOUNTING:** Mounts in a $\phi .281 \pm .002$ [$\phi 7.13\text{mm} \pm .05$] panel hole on .375 [9.5mm] centers. Panel thickness .031 [0.8mm] to .250 [6.35mm]. Panel hole should be deburred, but not chamfered.
 - ASSEMBLY:** Insert lens through panel hole, slide RNG 268 retainer on back of lens. PCB mounted LEDs slide into lens when the panel cover is closed or the PCB card is inserted into the case.
 - MATERIAL:** Polycarbonate, UL 94-V2
 - U.S. & Foreign Pat. Issued & Pend.**

REVISIONS				
ECN#	REV.	DESCRIPTION	DATE	INITIALS
	001	REVISED PER ECR111009AZ01	4-23-10	SMU

RETAINER
(ORDER SEPARATELY)



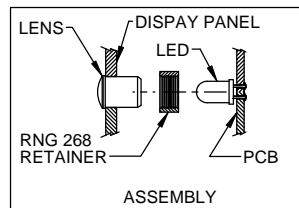
RNG 268



ORDERING CODE : **CML 327 XXX**

MODEL

LENS COLOR	
CTP	CLEAR TRANSPARENT



<small>DIMENSION STYLE: INCHES / MM GENERAL TOLERANCES UNLESS OTHERWISE SPECIFIED</small> <table border="1"> <tr><td>INCHES</td><td>±.004</td></tr> <tr><td>XX</td><td>±.002</td></tr> <tr><td>XXX</td><td>±.010</td></tr> <tr><td>XXXX</td><td>±.005</td></tr> </table>	INCHES	±.004	XX	±.002	XXX	±.010	XXXX	±.005	MATERIAL POLYCARBONATE, UL 94-V2	OPTOELECTRONICS <small>190 BOSSICK BLVD. SUITE 101 SAN MARCOS, CA 92069 U.S.A. PHONE: (760) 560-1300, FAX: (760) 560-1301 EMAIL: vccsales@vccllite.com</small>				
	INCHES	±.004												
XX	±.002													
XXX	±.010													
XXXX	±.005													
<small>ANGLE ± 1° BREAK RELIEF: .002 AND .0015 EDGES: .250 MAX</small> THIRD ANGLE PROJECTION	FINISH SEE NOTES	TITLE: 5MM ROUND PLAIN END LENS												
<small>PROPRIETARY AND CONFIDENTIAL THE INFORMATION CONTAINED IN THIS DRAWING IS THE SOLE PROPERTY OF VCC OPTOELECTRONICS. NO PART OF THIS DRAWING IS TO BE REPRODUCED OR TRANSMITTED IN ANY FORM OR BY ANY MEANS WITHOUT THE WRITTEN PERMISSION OF VCC OPTOELECTRONICS.</small>	<table border="1"> <tr> <th>APPROVAL</th> <th>DATE</th> </tr> <tr> <td>DRAWN SMU</td> <td>4-23-10</td> </tr> <tr> <td>CHECKED DZ</td> <td>4-23-10</td> </tr> </table>	APPROVAL	DATE	DRAWN SMU	4-23-10	CHECKED DZ	4-23-10	<table border="1"> <tr> <th>SIZE</th> <th>DWG. NO.</th> <th>REV</th> </tr> <tr> <td>B</td> <td>CML 327 XXX</td> <td>001</td> </tr> </table>	SIZE	DWG. NO.	REV	B	CML 327 XXX	001
APPROVAL	DATE													
DRAWN SMU	4-23-10													
CHECKED DZ	4-23-10													
SIZE	DWG. NO.	REV												
B	CML 327 XXX	001												
DO NOT SCALE DRAWING		SCALE: 1:1	SHEET 1 OF 1											

8 7 6 5 4 3 2 1