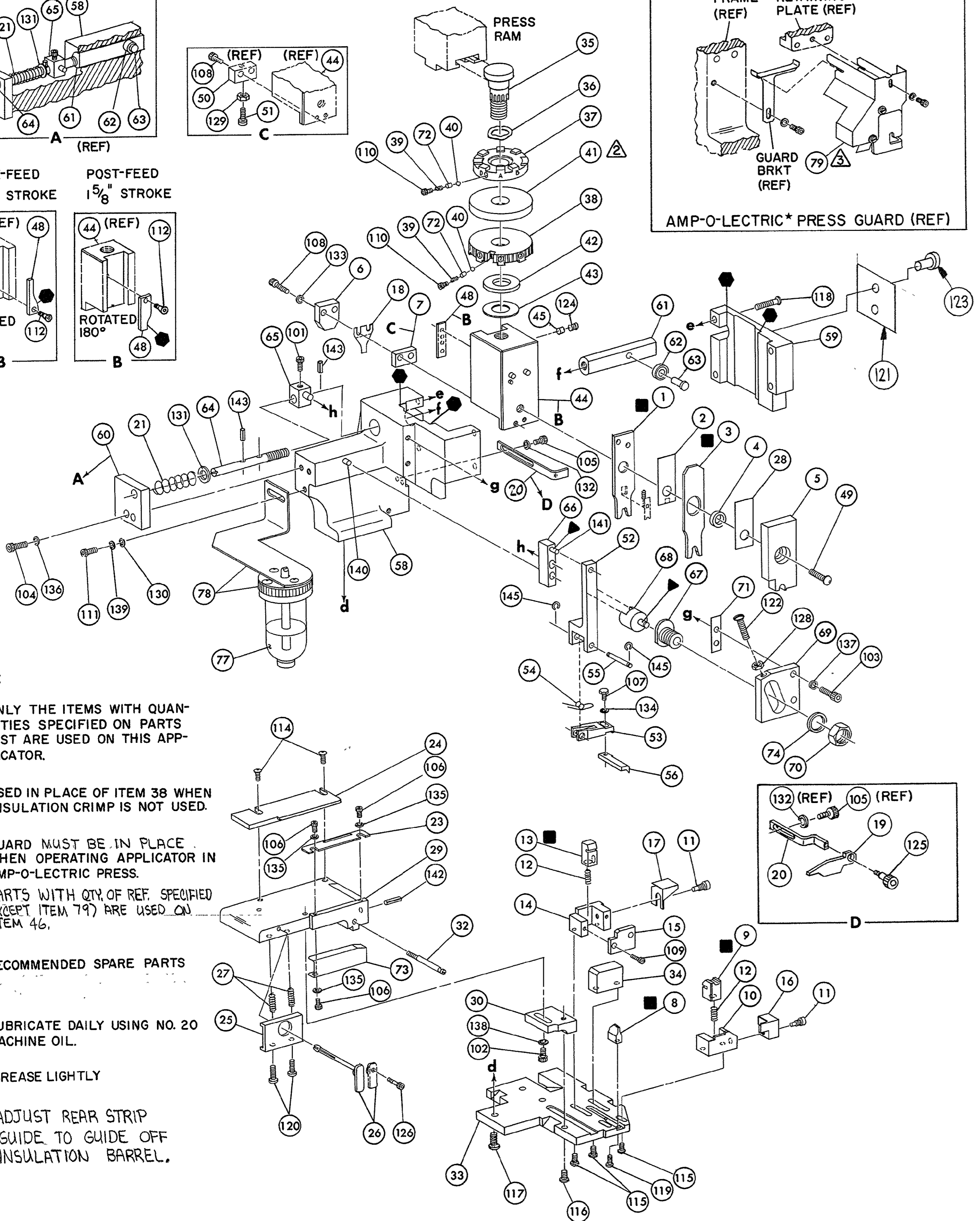
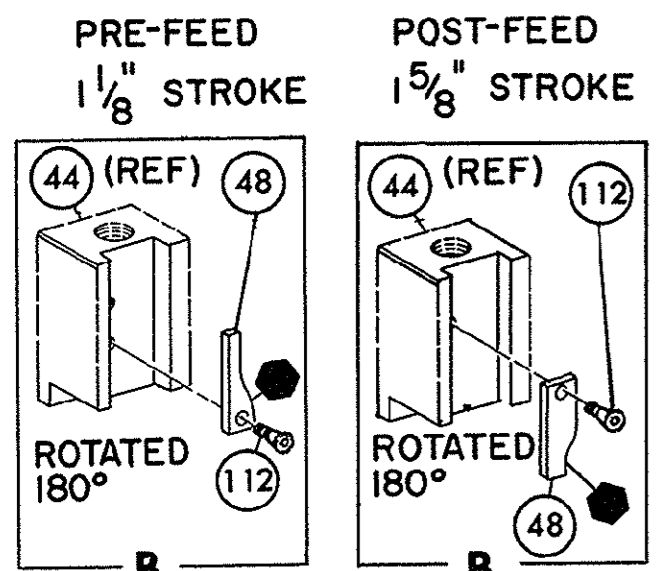
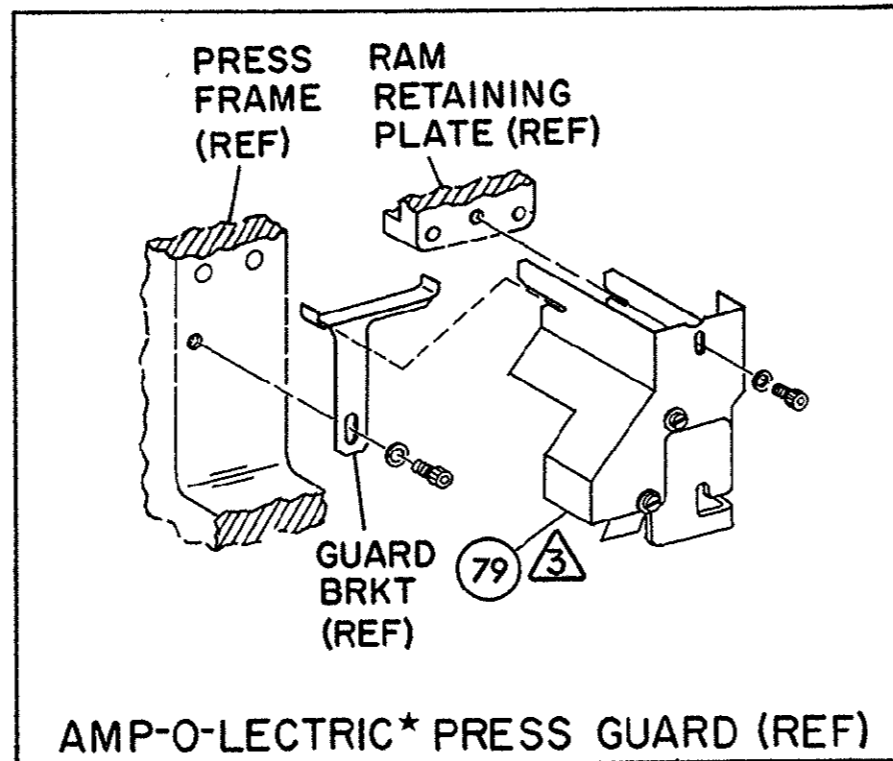
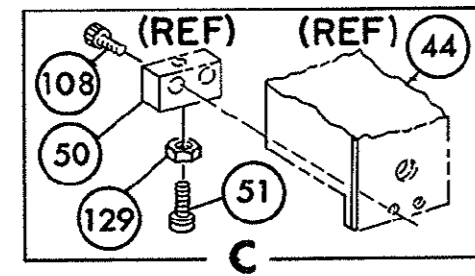
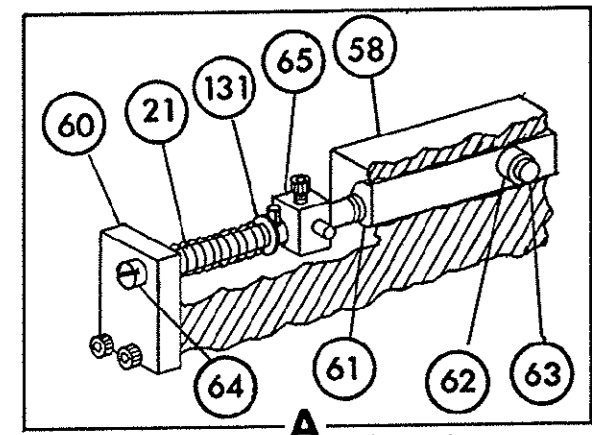


THIS IS A CONTROLLED DOCUMENT.



- NOTES:**
- I- ONLY THE ITEMS WITH QUANTITIES SPECIFIED ON PARTS LIST ARE USED ON THIS APPLICATOR.
 - △-USED IN PLACE OF ITEM 38 WHEN INSULATION CRIMP IS NOT USED.
 - △-GUARD MUST BE IN PLACE WHEN OPERATING APPLICATOR IN AMP-O-LECTRIC PRESS.
 - 4. PARTS WITH QTY. OF REF. SPECIFIED (EXCEPT ITEM 79) ARE USED ON ITEM 46.
- KEY:**
- RECOMMENDED SPARE PARTS
 - ▲-LUBRICATE DAILY USING NO. 20 MACHINE OIL.
 - GREASE LIGHTLY
 - △-ADJUST REAR STRIP GUIDE TO GUIDE OFF INSULATION BARREL.

REF.	21045-3	RING, RETAINING 'C' (.187 DIA) FEED FINGER PIN	145	REF.	454220-1	CAP, HOUSING	59
				REF.	454485-1	HOUSING	58
REF.	5-21028-1	PIN, SLOT SPR (.125 DIA X .50) ADJ ROD	143				
1	4-21028-0	PIN, SLOT SPR (.093 DIA X .75) STR G PLATE	142	1	690542-2	PAWL, FEED	56
REF.	1-21030-1	PIN, DOWEL (.187 DIA X .50) LEVER	141	REF.	240624-1	PIN, FEED FINGER	55
REF.	1-21030-6	PIN, DOWEL (.187 DIA X 1.25) HOUSING	140	REF.	691499-1	SPRING, FEED FINGER	54
	21024-5	WASHER, LOCK (NO 10) LUB ASSY	139	REF.	690541-1	FINGER, FEED	53
	21024-5	WASHER, LOCK (NO 10) STRIP GUIDE ADJ BLOCK	138	REF.	455679-1	LEVER, TERMINAL FEED ARM	52
REF.	21024-5	WASHER, LOCK (NO 10) ADJ PLATE	137	1	811242-2	BUMPER, HOLDDOWN	51
REF.	21024-5	WASHER, LOCK (NO 10) FEED GUIDE ROD	136	1	690759-1	SPACER, TONKER	50
2	21024-2	WASHER, LOCK (NO 4) FRONT STRIP GUIDE	135	1	7-21002-9	BOLT, CRIMPER	49
1	21024-4	WASHER, LOCK (NO 8) FEED FINGER	134	1	690602-5	CAM PRE-FEED 1/8\"/>	
2	21024-4	WASHER, LOCK (NO 8) DEPRESSOR	133				47
1	21024-4	WASHER, LOCK (NO 8) STRIPPER	132	1	459456-1	APPLICATOR, BASIC (SUB ASSY)	46
REF.	21899-4	WASHER, FLAT (5/16 DIA) SCREW ADJ	131	1	690191-1	PLUG, NYLON	45
1	21899-2	WASHER, FLAT (NO 10) LUB ASSY	130	1	455673-1	RAM	44
1	21018-5	NUT, HEX MACH (6-32) HOLDDOWN	129	1	690125-1	WASHER, LAMINATED	43
REF.	21018-5	NUT, HEX MACH (6-32) FEED ADJ	128	1	690124-1	WASHER, RAM DISC, SPACER	42
			127				41
	22353-8	SCR, SHLD. (.187 DIA X .250 LG) DRAG LEVER	126	2	23241-6	BALL, STEEL	40
1	456567-1	SCR, SHLD. (188 DIA X.125 LG) STRIPPER	125	2	690170-1	SPRING, COMPRESSION	39
1	21009-2	SCR, SKT SET (1/4-20 X .25) (LOC-WEL) RAM	124	1	690142-1	DISC, INSULATION	38
2	21017-2	SCREW, DRIVE #2 X .19	123	1	1-690692-2	DISC, WIRE	37
REF.	6-23715-5	SCR, RD HD MACH (6-32 X 1.50) FEED ADJ	122	1	22480-5	WASHER, SPRING	36
1	461264-1	PLATE, IDENTIFICATION	121	1	690212-1	POST, RAM	35
2	2-21002-9	SCR, BUT HD SKT CAP (10-32 X .75) DRAG	120	1	692776-1	SUPPORT, TERMINAL	34
1	22739-3	SCR, BUT HD SKT CAP (8-32 X .38) (LOC-WEL) ANVIL	119	REF.	455675-1	PLATE, BASE	33
REF.	2-21002-9	SCR, BUT HD SKT CAP (10-32 X .75) CAP	118	1	690432-3	SCREW, ADJUSTMENT	32
REF.	17177-1	SCR, BUT HD SKT CAP (1/4-20 X .75) HOUSING	117				31
REF.	2-21002-7	SCR, BUT HD SKT CAP (10-32 X .50) SG ADJ BLOCK	116	REF.	455689-1	BLOCK, STRIP GUIDE ADJ	30
4	2-21002-2	SCR, BUT HD SKT CAP (8-32 X .50) SHEAR	115	1	455671-1	PLATE, STRIP GUIDE	29
2			114	1	1-455888-0	SPACER, FRONT SHEAR DEPRESSOR	28
			113	2	1-22284-0	SPRING, DRAG	27
1	1-21002-7	SCR, BUT HD SKT CAP (6-32 X .38) CAM	112	1	690546-1	LEVER, DRAG RELEASE	26
1	3-21000-4	SCR, SKT HD CAP (10-32 X .38) LUBRICATOR ASSY	111	1	240792-1	DRAG, STOCK	25
2	23030-1	SCR, SKT HD CAP (6-32 X .25) (LOC-WEL) CP DISC	110	1	7-690504-1	GUIDE STRIP (REAR)	24
			109	1	690438-1	GUIDE, STRIP (FRONT)	23
2	2-21000-8	SCR, SKT HD CAP (8-32 X .62) DEPRESSOR	108				22
1	2-22603-0	SCR, HEX HD MACH (8-32 X .31) FEED FINGER	107	REF.	4-22284-9	SPRING, FEED RETURN	21
2	1-21000-3	SCR, SKT HD CAP (4-40 X .25) F STRIP GUIDE	106	1	458950-1	ARM, STRIPPER	20
1	2-21000-7	SCR, SKT HD CAP (8-32 X .50) STRIPPER	105	1	458949-1	STRIPPER	19
REF.	3-21000-7	SCR, SKT HD CAP (10-32 X .75) FEED ROD GUIDE	104				18
REF.	3-21000-6	SCR, SKT HD CAP (10-32 X .62) FEED ADJ BLOCK	103				17
1	3-21000-4	SCR, SKT HD CAP (10-32 X .38) SG ADJ BLOCK	102	1	691667-1	GUARD, CHIP (FRONT)	16
REF.	3-21000-4	SCR, SKT HD CAP (10-32 X .38) PIVOT BLOCK	101				15
REF.	455749-1	GUARD (WINDOW)	79				14
1	1-465184-0	LUBRICATOR ASSY	78				13
REF.	852931-2	OIL, LUBRICATING	77	1	5-22280-0	SPRING, SHEAR	12
			76	1	690461-1	STOP, SHEAR	11
			75	1	690459-1	HOLDER, SHEAR (FRONT)	10
REF.	458109-1	WASHER, SPECIAL	74	1	462006-2	SHEAR, FLOAT (FRONT)	9
	454877-3	PLATE, STRIP GUIDE COVER	73	1	3-803653-5	ANVIL	8
2	690603-1	SPRING, ASSIST	72	1	240641-2	SPACER, DEPRESSOR (REAR)	7
REF.	690517-1	SPACER	71				6
	22594-8	NUT, HEX	70	1	2-455889-0	DEPRESSOR, SHEAR (REAR)	5
	240628-1	PLATE, ADJUSTMENT	69	1	1-238011-0	SPACER, TUBULAR, INS CRIMPER	4
	240626-1	SHAFT, PIVOT	68	1	1-683453-2	CRIMPER, INSULATION	3
	240633-1	BUSHING	67	1	455888-6	SPACER, CRIMPER	2
	455680-1	LEVER, INTERMEDIATE	66	1	1-456403-2	CRIMPER, WIRE	1
	240629-1	BLOCK, PIVOT	65				
	240632-2	SCREW, ADJUSTMENT FEED ROD	64				
	240659-3	PIN, CAM ROLLER	63				
	240658-1	ROLLER, CAM	62				
	454398-2	ROD, FEED	61				
REF.	454178-1	GUIDE, FEED ROD	60				

REMARKS	NO	REV
TO APPLY TERMINAL SPEC 114-4003		
APPL USED ON MACHINE PART NO	MACH SERIAL NO	DISTRIBUTION
CUSTOMER NAME	APPL SERIAL NO	ORIGINAL
ADDRESS	PURCHASE ORDER	CUSTOMER COPY
CITY	ENG APP	FIELD ENG COPY

CRIMPING DATA				APPLICATOR WILL APPLY	
PAD LTR	CRIMP HEIGHT	WIRE SIZE	STRIP LENGTH	PIN	SOCKET
A	.042	18		745267	745270
B	NOT USED				
C	.034	20 OR 22			
D	NOT USED				
CRIMP	SIZE	TYPE	FEED	APPL INST	
WIRE	.062	F	.300	A1 8040	
INSUL	.076	F			
WIRE RANGE	INSULATION RANGE	PRESS NO			
22-18	.070 MAX	565435-5			
REMARKS					
PRE-FEED AMP-O-LECTRIC					



SET UP GAGE 10-1	458637-1	11260	
OR APP 1184			
NAME	MINIATURE QUICK CHANGE APPLICATOR		
NO	56180-2		
REV			