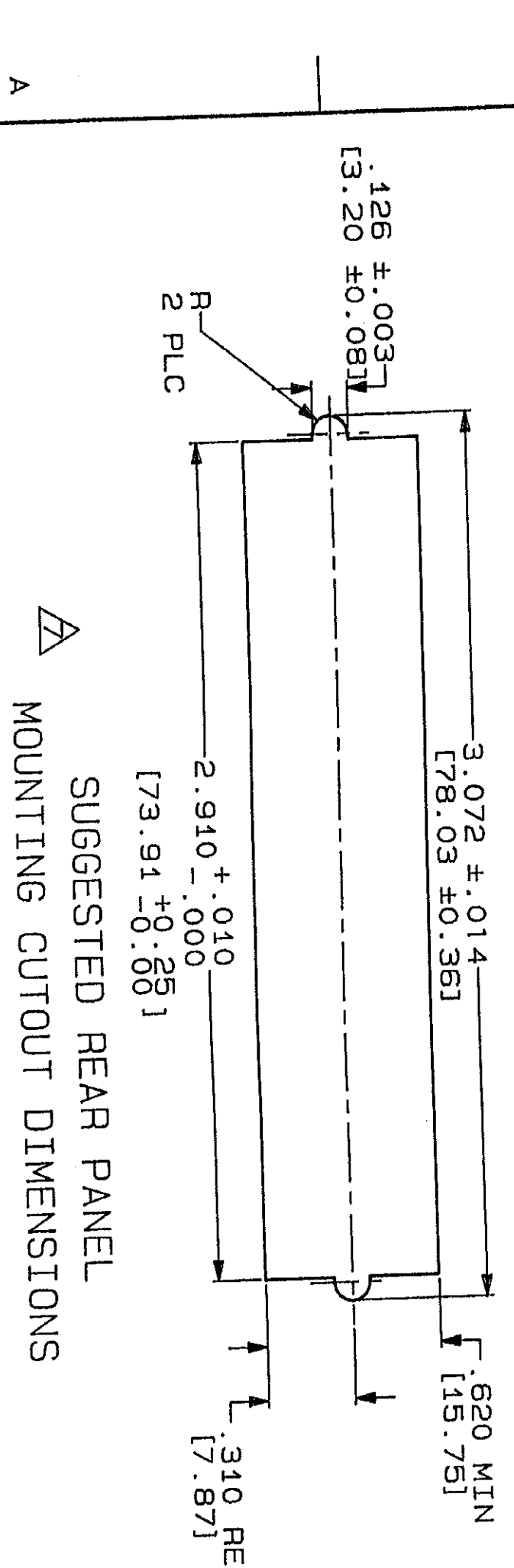
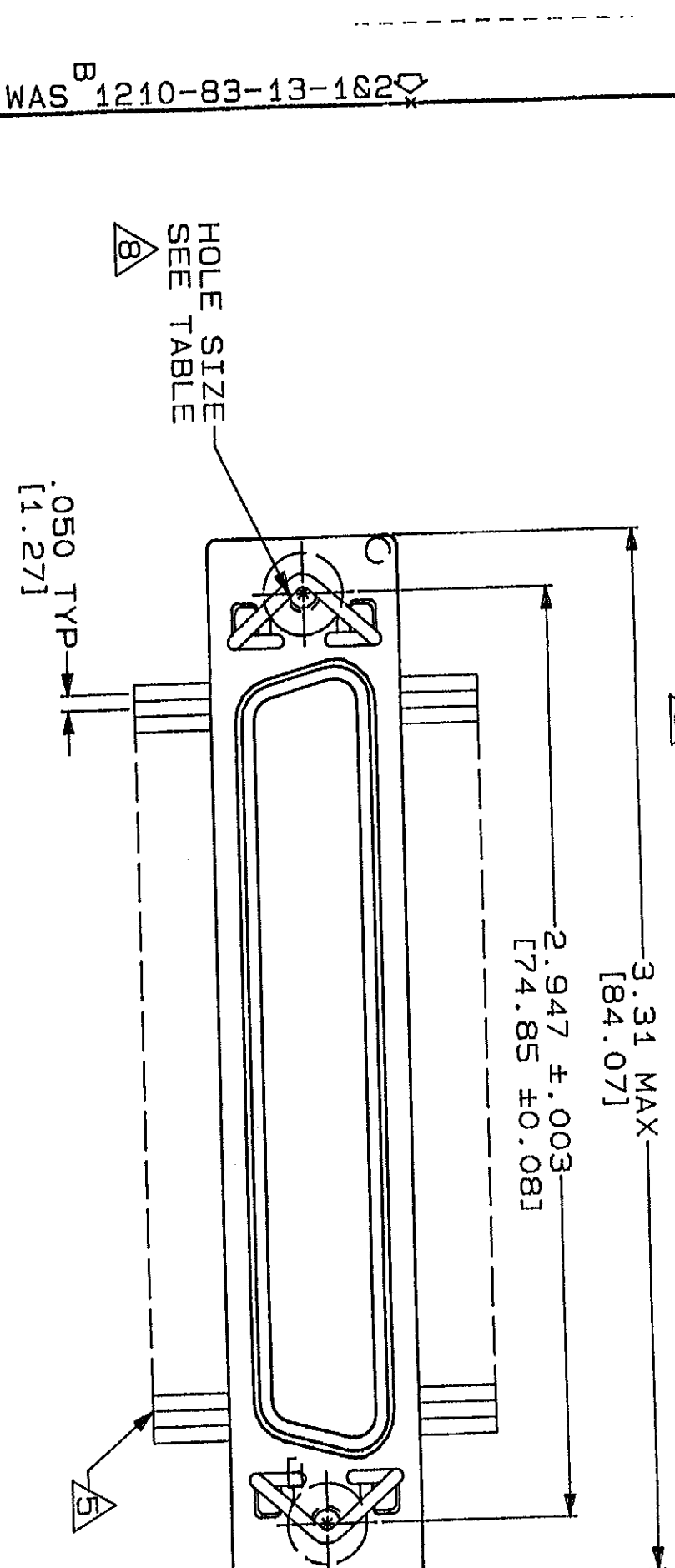


END VIEW
554347-2



SUGGESTED REAR PANEL
MOUNTING CUTOUT DIMENSIONS

LOC	DIST	REV	ZONE	LTR	DESCRIPTION	DATE	APPD
AA	20	REV 8			REDMN: EC0140-8874-92	10-11-92	DE

1. THE CONTACT SURFACES OF THE TERMINALS ARE COATED WITH LUBRICANT.
2. MATERIAL: HOUSING AND COVER- POLYPHENYLENE OXIDE, BLACK TERMINALS- .000030 [0.76µm] MINIMUM THICK GOLD IN LOCALIZED AREA OVER .000050 [1.27µm] MINIMUM THICK NICKEL PLATED HIGH STRENGTH COPPER ALLOY.
3. EMI SHIELD- NICKEL PLATED DIE CASTING. BAIL CLIPS- PASSIVATED STAINLESS STEEL.
4. STUD RECEIVER- ZINC PLATED SPRING STEEL FOR 554347-2 ONLY.
5. COVER SHOWN PREASSEMBLED.
6. WIRE RANGE: 26 AWG SOLID THRU 30 AWG SOLID AND 28 AWG STRANDED RIBBON CABLE
7. FLAT CABLE SHALL BE FURNISHED BY CUSTOMER.
8. MATING FACE CONSISTS OF TWO ROWS OF TERMINALS ON .085 [2.16] CENTERS. TERMINATING SIDE CONSISTS OF TERMINALS ON .100 [2.54] CENTERS FOR AN EFFECTIVE .050 [1.27] TERMINATION.
9. PANEL THICKNESS RANGE: .062 [1.57] MAX.
10. HOLES ARE TAPPED AFTER PLATING.
11. BOSS FEATURE APPLIES TO -2 ONLY.
12. ALL DIMENSIONS SHOWN IN BRACKETS [] ARE IN MILLIMETERS.

WITHOUT	WITH	SHIELD BOSS	SHIELD HOLE SIZE	PART NO
M3 X 0.5	4-40 UNC-2B			554347-5
				554347-2

DR 12-11-92	D.ESTABROOK/UTA	NAME	RECEPTACLE ASSEMBLY, SHIELDED, BAIL LOCK, CHAMP LATCH
CHK 12-21-92	B.FOX	AMP	AMP Incorporated
APPD 12-21-92	J.TAMMEL	Harrisburg, PA 17105-3608	
APPD 12-21-92	P.CRAVEN		
PRODUCT SPEC	108-6076		
APPLICATION SPEC	114-6030		

DO NOT SCALE PRINT. UNLESS SPECIFIED DIMENSIONS IN INCHES [mm]	FINISH	SCALE	2:1
TOLERANCES ON:	APPLICATOR	SIZE	00779
1 PLC DEC #	108-6076	DRAWING NO	554347
2 PLC DEC #	114-6030	SHEET	1 OF 1
3 PLC DEC #			
ANGLES			
MATERIAL			

CAD DRAWINGS
 THIS DRAWING WAS CREATED ON A COMPUTER AIDED DESIGN (CAD) SYSTEM. DATA BASE ALL CHANGES/ REVISIONS MUST BE MADE ON THE CAD SYSTEM.

CAD CUSTOMER DRAWING