

Sensor/Actuator cable - SAC-M12MS/A-L-S/0,15PUR/A-L-S - 1501074

Please be informed that the data shown in this PDF Document is generated from our Online Catalog. Please find the complete data in the user's documentation. Our General Terms of Use for Downloads are valid (<http://download.phoenixcontact.com>)

Sensor/Actuator cable, 3-position, PUR/PVC, Black RAL 9005, Plug straight M12, with 1 LED, A-coded, connected with Z diode, on Valve connector A, with 1 LED, connected with Z diode and Valve connector A, with 1 LED, connected with Z diode, Cable length: 0.15 m



Key commercial data

Packing unit	1 1
Minimum order quantity	5 1
Weight per Piece (excluding packing)	82.29 GRM
Custom tariff number	85444290
Country of origin	Germany

Technical data

Dimensions

Length of cable	0.15 m
-----------------	--------

Ambient conditions

Degree of protection	IP67
----------------------	------

General

Rated current at 40°C	4 A
Rated voltage	24 V
Number of positions	3
Contact resistance	≤ 5 mΩ
Insulation resistance	≥ 100 MΩ
Status display	1 LED
Protective circuit/component	Z diode
Surge voltage category	II
Pollution degree	3
Insertion/withdrawal cycles	≥ 100

Material

Inflammability class according to UL 94	HB
Valve plug contact material	CuSn
Valve plug contact surface material	Ag

Sensor/Actuator cable - SAC-M12MS/A-L-S/0,15PUR/A-L-S - 1501074

Technical data

Material

Valve plug contact insert material	PBT
Material housing valve plug	PBT
Sealing material	TPU (Flat gasket valve plug)

Cable

Cable type	PUR/PVC black
Conductor cross section	0.75 mm ²
Conductor structure signal line	24x 0.20 mm
Wire colors	Black 1, black 2, green/yellow
External sheath, color	Black RAL 9005
External cable diameter	5.90 mm
Outer sheath, material	PUR
Material, inner sheath	PVC

Classifications

eCl@ss

eCl@ss 4.0	27060306
eCl@ss 4.1	27060306
eCl@ss 5.0	27061801
eCl@ss 5.1	27061801
eCl@ss 6.0	27061801
eCl@ss 7.0	27061801
eCl@ss 8.0	27061801

ETIM

ETIM 2.0	EC000830
ETIM 3.0	EC001855
ETIM 4.0	EC001855
ETIM 5.0	EC001855

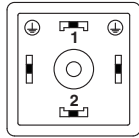
UNSPSC

UNSPSC 6.01	31251501
UNSPSC 7.0901	31251501
UNSPSC 11	31251501
UNSPSC 12.01	31251501
UNSPSC 13.2	31251501

Sensor/Actuator cable - SAC-M12MS/A-L-S/0,15PUR/A-L-S - 1501074

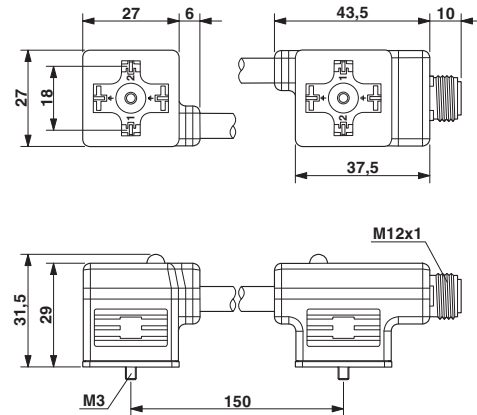
Drawings

Schematic diagram

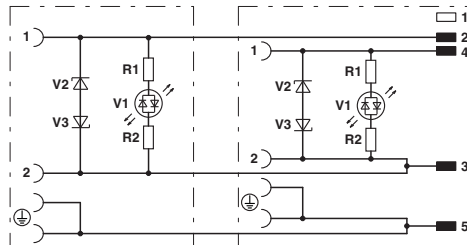


Valve connector pin assignment, type A

Dimensioned drawing



Circuit diagram



Wiring of double valve connector cable