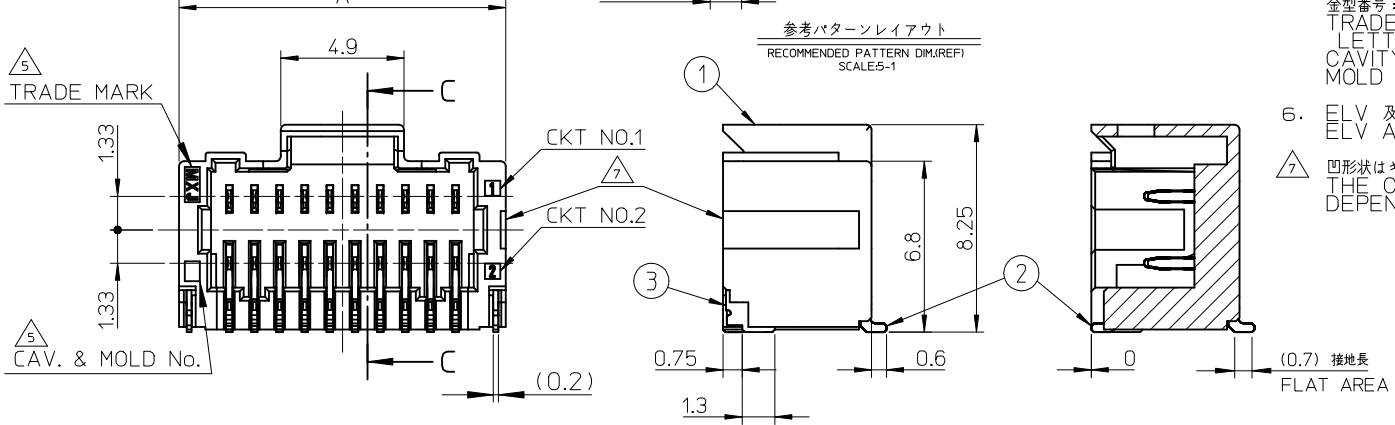
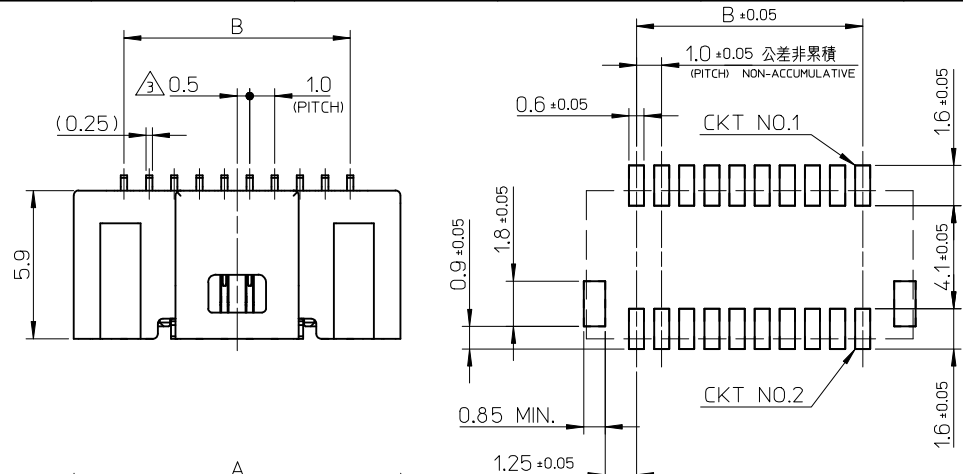


10 9 8 7 6 5 4 3 2 1



NOTES

1. 嵌合相手: 501189-****
MATE WITH: 501189-****
2. ソルダーピン及びネールの平坦度は0.1MAX.
SOLDER PIN AND NAIL COPLANARITY TO BE 0.1MAX.
3. 極数/2=偶数極の場合に適用
APPLY FOR (CIRCUIT/2=EVEN)
4. 製品番号
MATERIAL No.

501571 - **07 , 501571 - **5*

極数	↑	極数	↑	色
CIRCUIT SIZE		CIRCUIT SIZE		COLOR
5. トレードマーク: MXプラス1文字のアルファベットにて構成
キャビティ番号: 1桁から2桁の数字にて構成
金型番号: アルファベット1文字にて構成
TRADE MARK: FORMED BY MX AND 1 MORE
LETTER OF ALPHABET, BUT "J" MEANS JAPAN. (e.g. MXJ)
CAVITY No.: FORMED BY 1 - 2 DIGIT NUMBERS.
MOLD No.: FORMED BY 1 LETTER OF ALPHABET.
6. ELV 及び RoHS 適合品
ELV AND RoHS COMPLIANT.
7. 凹形状はキャビティにより反対側面に設定する
THE CONCAVE AREA TO BE SET ON THE REVERSE SIDE
DEPENDING ON THE MOLDING CAVITY.

番号 NO.	部品 PART	材質 MATERIAL
①	ウエハー WAFER	耐熱ナイロン、UL94V-0、色: シート2参照 HEAT RESISTANCE NYLON, UL94V-0, COLOR:SEE SHEET2
②	ソルダーピン SOLDER PIN	リン青銅 PHOSPHOR BRONZE 金メッキ : 0.1 MICRO METER MINIMUM. GOLD PLATING ニッケル下地メッキ : 1 MICRO METER MINIMUM. NICKEL UNDER PLATING
③	ネイル NAIL	黄銅 BRASS すずメッキ : 1 MICRO METER MINIMUM. TIN PLATING ニッケル下地メッキ : 1 MICRO METER MINIMUM. NICKEL UNDER PLATING

24	28	501571-50**	50
19	23	501571-40**	40
14	18	501571-30**	30
9	13	501571-20**	20
B	A	EMBOSSED PACKAGE	CKT
		オーダー番号 ORDER NO.	
CONNECTOR SERIES No. 501571-****			

REVISED EC NO: J2017-0352 DR: WNKOBAYASHI 2016/12/28 CHKD: SAKIYAMA 2017/01/06 APPR: TKANEKO 2017/01/06	DESCRIPTION REV	GENERAL TOLERANCES (UNLESS SPECIFIED)		DIMENSION STYLE MM ONLY		SCALE 5:1	DESIGN UNITS METRIC	THIRD ANGLE PROJECTION	
		0.25 UNDER	±0.2	DRAWN BY	DATE	TITLE			
		0.25 OVER 0.5 UNDER	±0.2	TRSUZUKI	2005/02/14	PICO-CLASP 1.0 WTB CONN. DUAL-ROW R/A WAFER ASSY -LEAD FREE-			
		0.5 OVER 1.0 UNDER	±0.2	CHECKED BY	DATE				
1.0 OVER 10 UNDER	±0.2	MYAGI	2005/02/14	molex					
10 OVER 30 UNDER	±0.25	APPROVED BY	DATE						
30 OVER	±0.3	ANODA	2005/02/14	MATERIAL NO.		DOCUMENT NO.		SHEET NO.	
ANGULAR ±3 °		DRAFT WHERE APPLICABLE MUST REMAIN WITHIN DIMENSIONS		SEE CHART		SD-501571-001		1 OF 2	
				SIZE A3		THIS DRAWING CONTAINS INFORMATION THAT IS PROPRIETARY TO MOLEX ELECTRONIC TECHNOLOGIES, LLC AND SHOULD NOT BE USED WITHOUT WRITTEN PERMISSION			

9 8 7 6 5 4 3 2 1

F

F

E

E

D

D

C

C

B

B

A

A

緑 GREEN		青 BLUE		赤 RED		黒 BLACK		自然色 NATURAL		色 COLOR		
//		//		//		//		501571-5007		50		
501571-4056	501571-**76	501571-4054	501571-**74	501571-4052	501571-**72	501571-4051	501571-**71	501571-4007	501571-**09	40		
501571-3056		501571-3054		501571-3052		501571-3051		501571-3007		30		
501571-2056		501571-2054		501571-2052		501571-2051		501571-2007		20		
EMBOSSED PACKAGE オーダー番号 ORDER NO.	CONNECTOR SERIES	EMBOSSED PACKAGE オーダー番号 ORDER NO.	CONNECTOR SERIES	EMBOSSED PACKAGE オーダー番号 ORDER NO.	CONNECTOR SERIES	EMBOSSED PACKAGE オーダー番号 ORDER NO.	CONNECTOR SERIES	EMBOSSED PACKAGE オーダー番号 ORDER NO.	CONNECTOR SERIES	CK.T.		
SEE SHEET 1 EC NO: J2017-0352 DRWN:HKOBAYASHI 2016/12/28 CHKD:SAKIYAMA 2017/01/06 APPR:TKANEKO 2017/01/06		GENERAL TOLERANCES (UNLESS SPECIFIED)			DIMENSION STYLE MM ONLY		SCALE 5:1	DESIGN UNITS METRIC	THIRD ANGLE PROJECTION			
		0.25 UNDER		±0.2	DRAWN BY	DATE	TITLE					
		0.25 OVER	0.5 UNDER		±0.2	TRSUZUKI	2005/02/14	PICO-CLASP 1.0 WTB CONN. DUAL-ROW R/A WAFER ASSY -LEAD FREE-				
		0.5 OVER	1.0 UNDER		±0.2	CHECKED BY	DATE					
		1.0 OVER	10 UNDER		±0.2	MYAGI	2005/02/14					
		10 OVER	30 UNDER		±0.25	APPROVED BY	DATE	molex				
		30 OVER			±0.3	ANODA	2005/02/14					
ANGULAR	±3 °	DRAFT WHERE APPLICABLE MUST REMAIN WITHIN DIMENSIONS			SIZE A3	THIS DRAWING CONTAINS INFORMATION THAT IS PROPRIETARY TO MOLEX ELECTRONIC TECHNOLOGIES, LLC AND SHOULD NOT BE USED WITHOUT WRITTEN PERMISSION			DOCUMENT NO. SD-501571-001	SHEET NO. 2 OF 2		