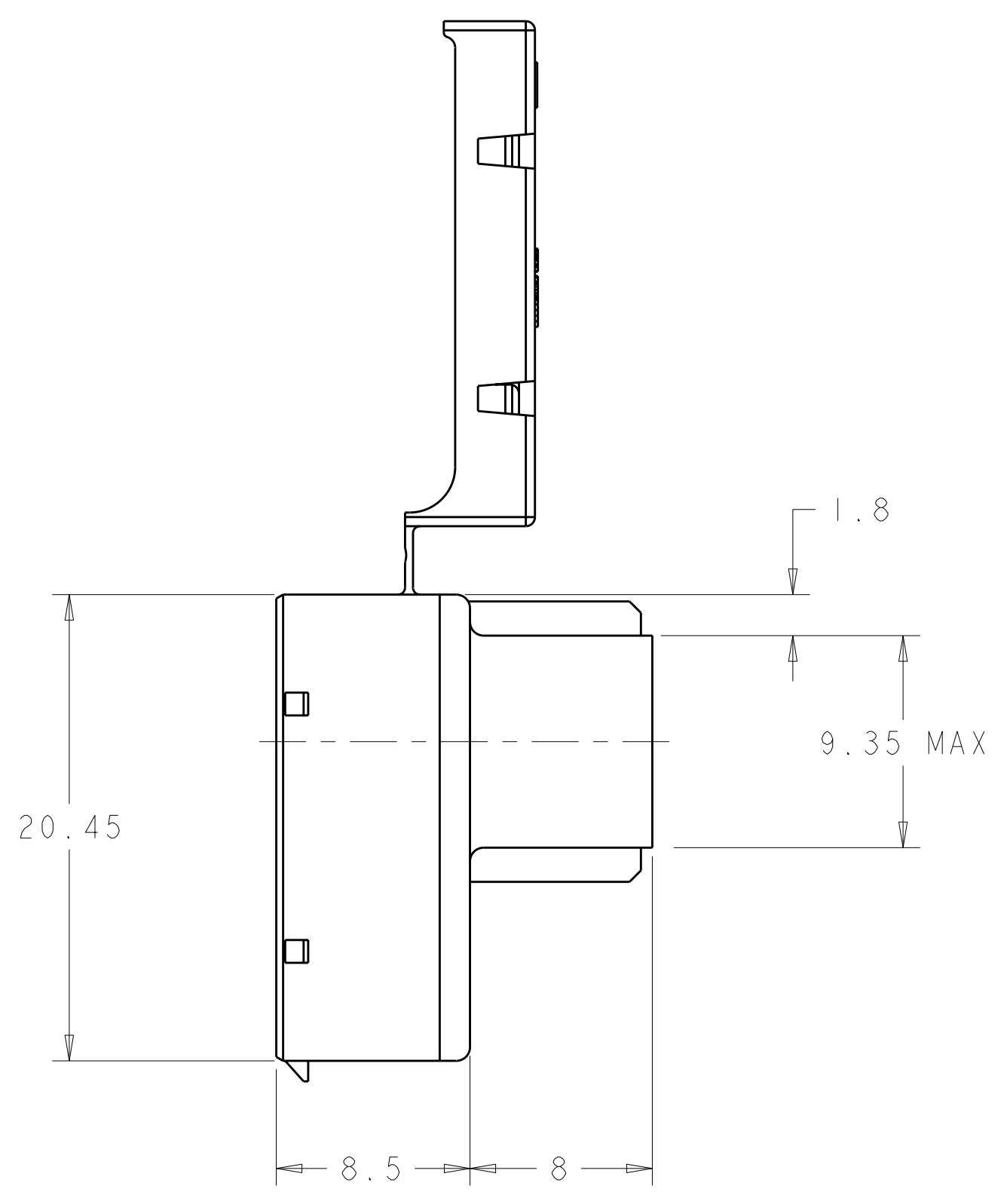
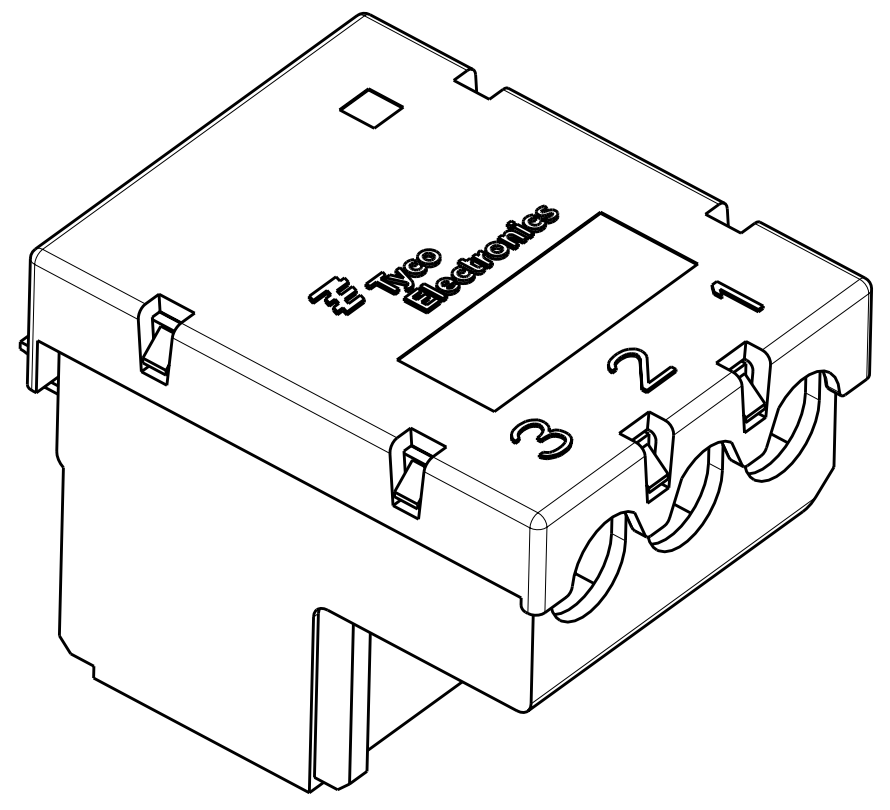
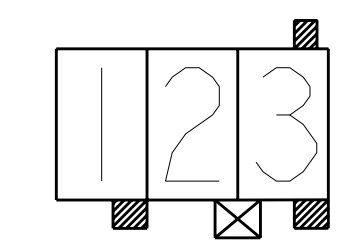
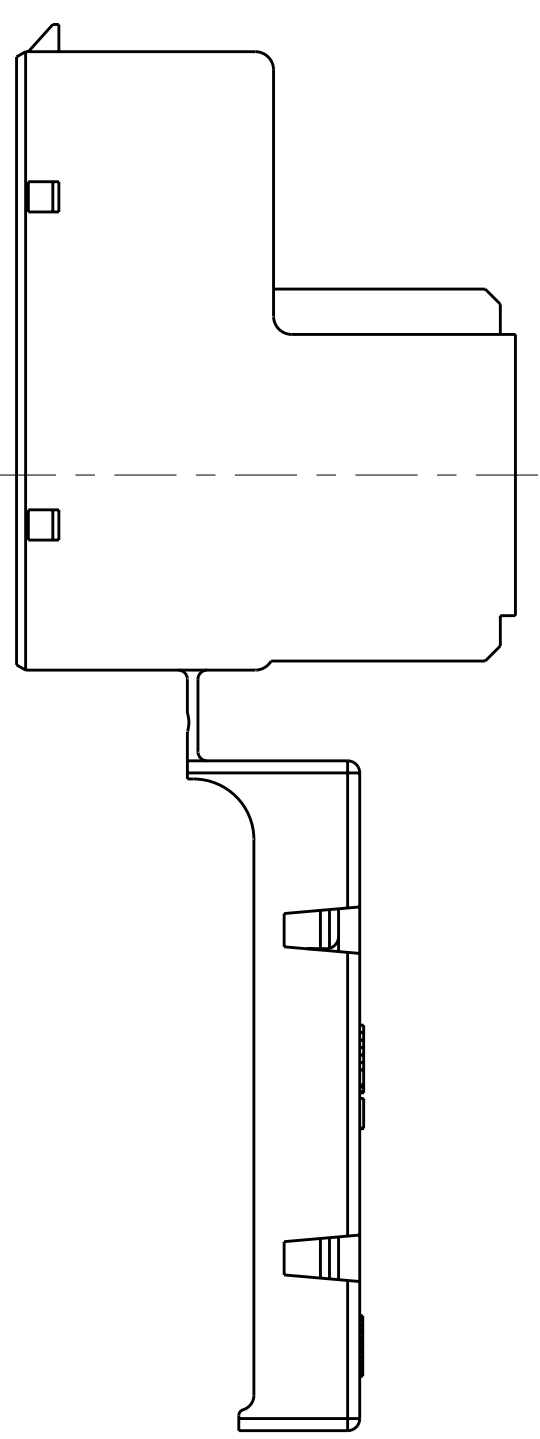
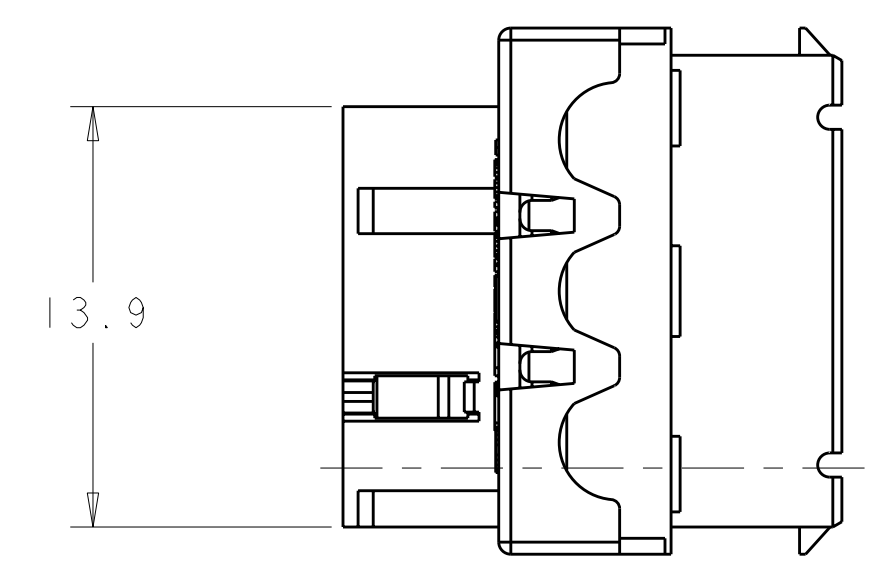
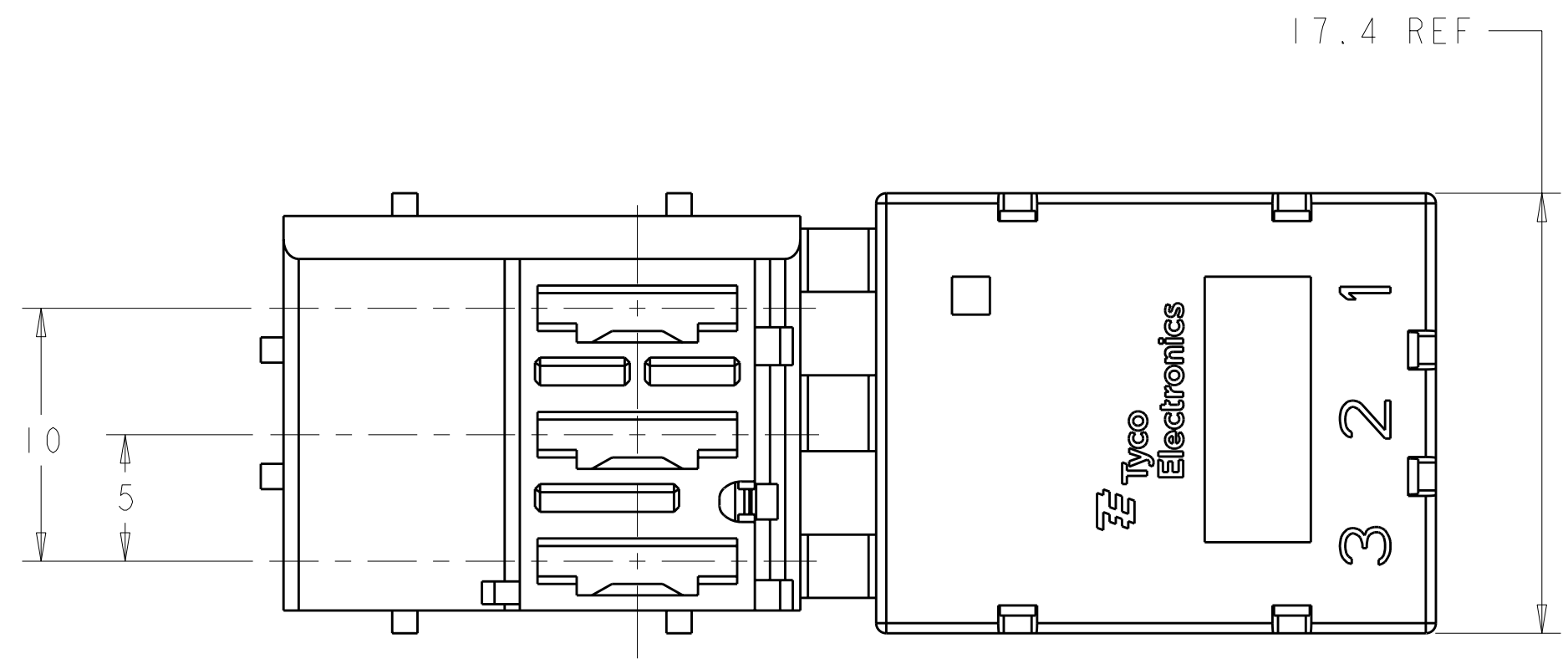
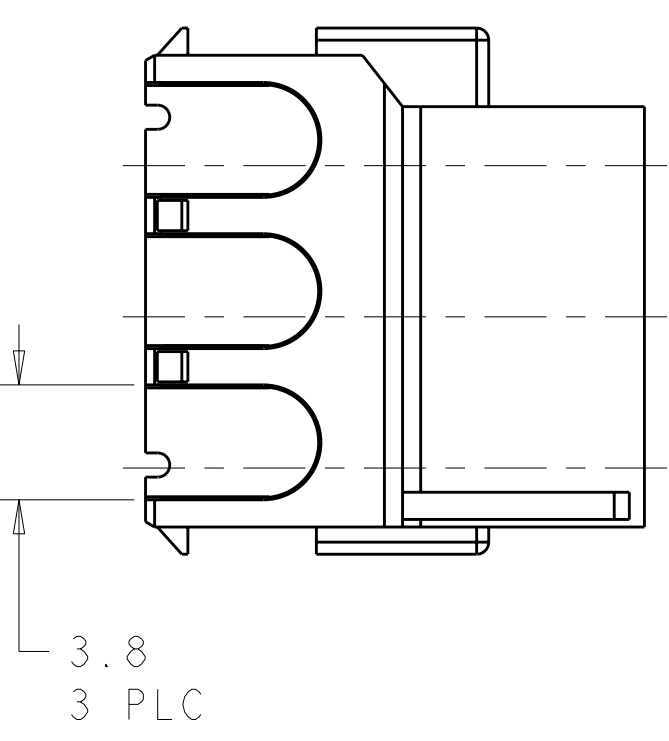
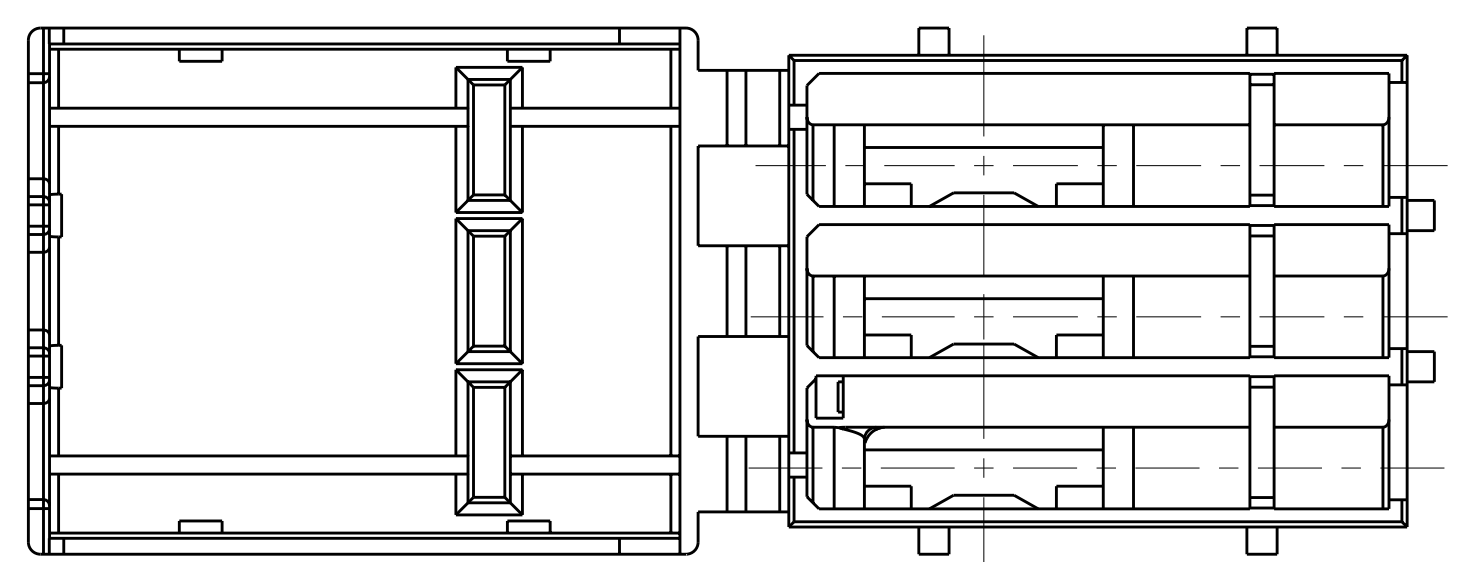


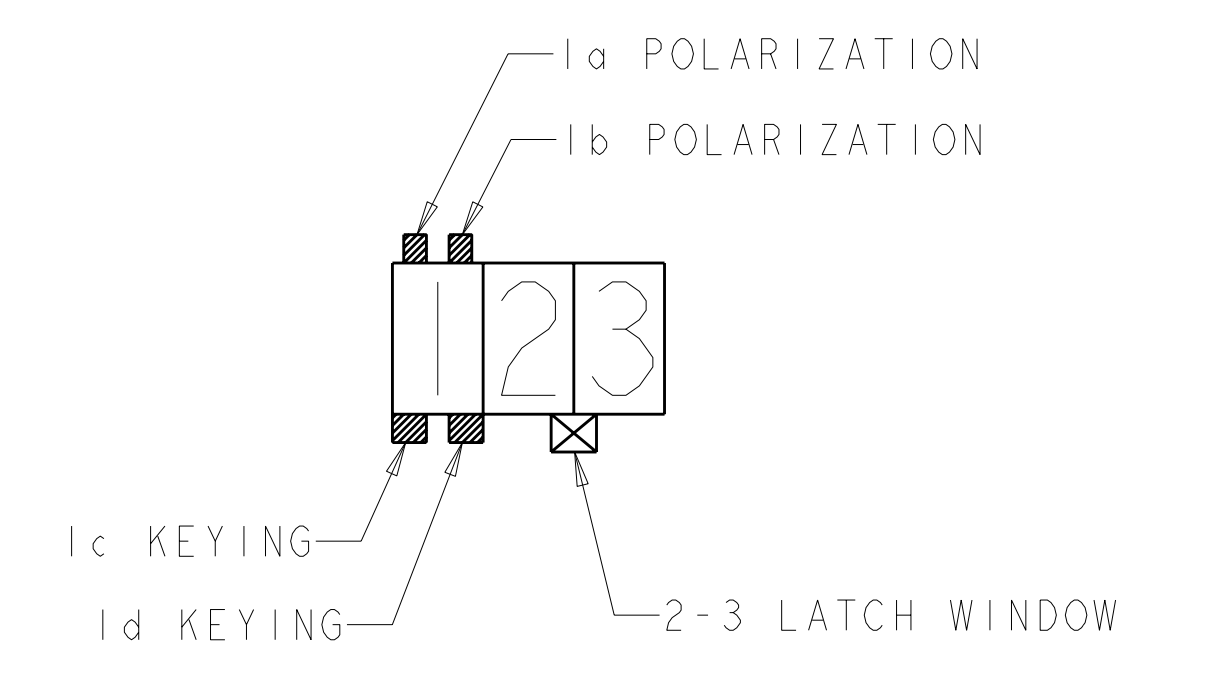
LOC	DIST	REVISIONS			
P	LT#	DESCRIPTION	DATE	DWN	APVD
AF	50	A3	REVISED PER ECR-09-008766	04MAY2009	HMR RL



1 CAVITIES ACCEPTS 6.3mm RIGHT ANGLE RECEPTACLES,
 - USE PART NUMBER 1544113-X FOR WIRE RANGE 0.35mm²-1.0mm² [#22-#17] AWG
 - USE PART NUMBER 1544114-X FOR WIRE RANGE 1.4mm²-2.0mm² [#16-#14] AWG
 2 THIS PRODUCT HAS NOT COMPLETED VALIDATION TESTING.



1969117-1



PICTORIAL VIEW KEY

RAST CONFIGURATION	KEYING FEATURE	POLARIZATION FEATURE	FINISH/COLOR	PART NUMBER
-	1d, 3d	3b	NATURAL	1969117-1

DIMENSIONS: mm		TOLERANCES UNLESS OTHERWISE SPECIFIED: 9 PLC ± 1 PLC ±0.13 5 PLC ± 4 PLC ± ANGLES ±1° FINISH SEE TABLE		DWN M.S. FEHER 25SEP2007 CHK R. LONDON 28JUN2007 APVD R. LONDON 28JUN2007		Tyco Electronics Harrisburg, PA 17105-3608	
MATERIAL NYLON		NAME		HOUSING, RAST 5, RIGHT ANGLE POSITIVE LOCK 3 POSITION		RESTRICTED TO	
WEIGHT		SIZE CAGE CODE DRAWING NO		A100779C=1969117		SCALE 4:1 SHEET 1 OF 1 REV A3	
CUSTOMER DRAWING		SCALE 4:1		SHEET 1 OF 1		REV A3	