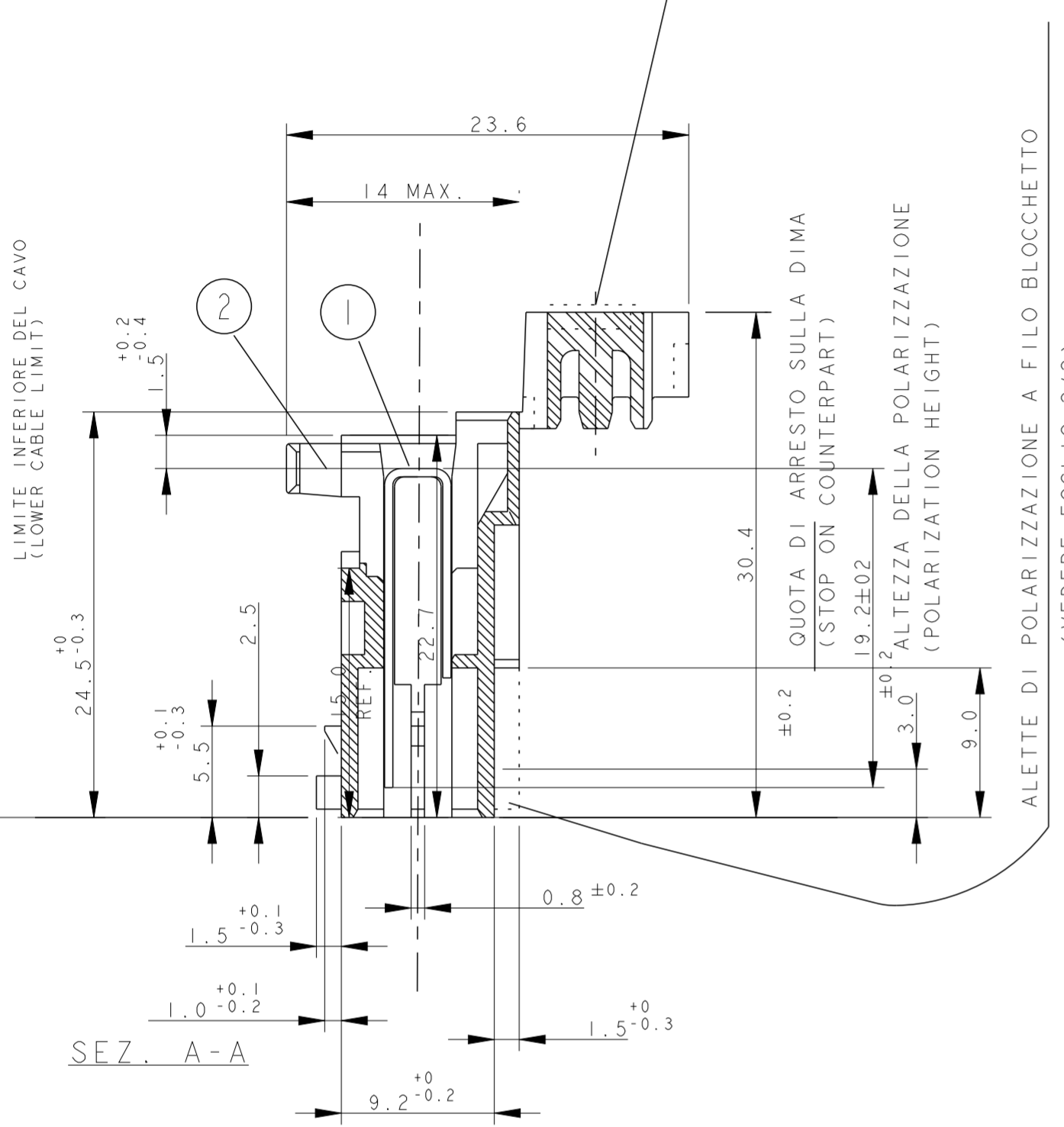


THIS DRAWING IS UNPUBLISHED. RELEASED FOR PUBLICATION 2014
 © COPYRIGHT 2014 BY - ALL RIGHTS RESERVED.

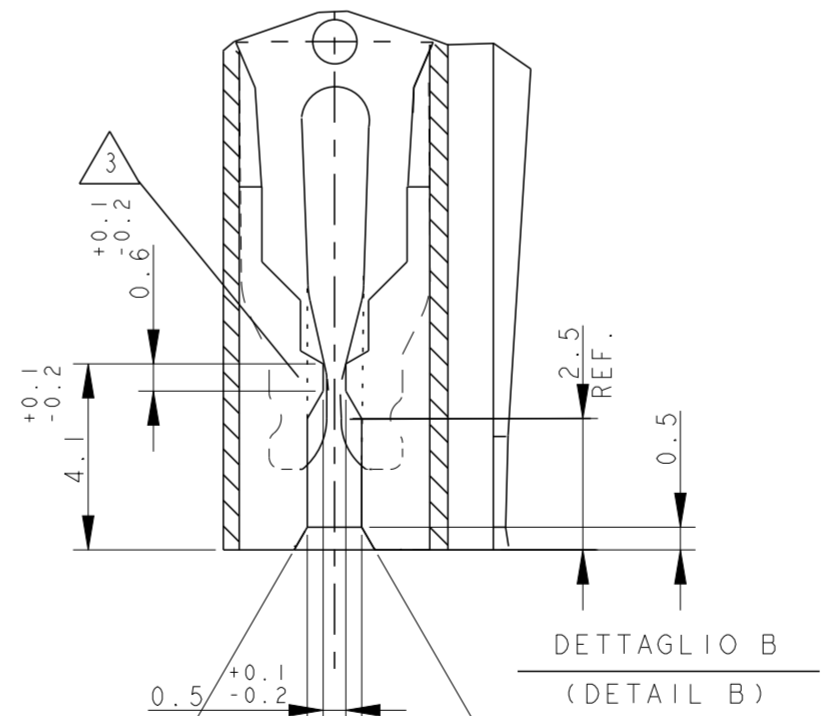
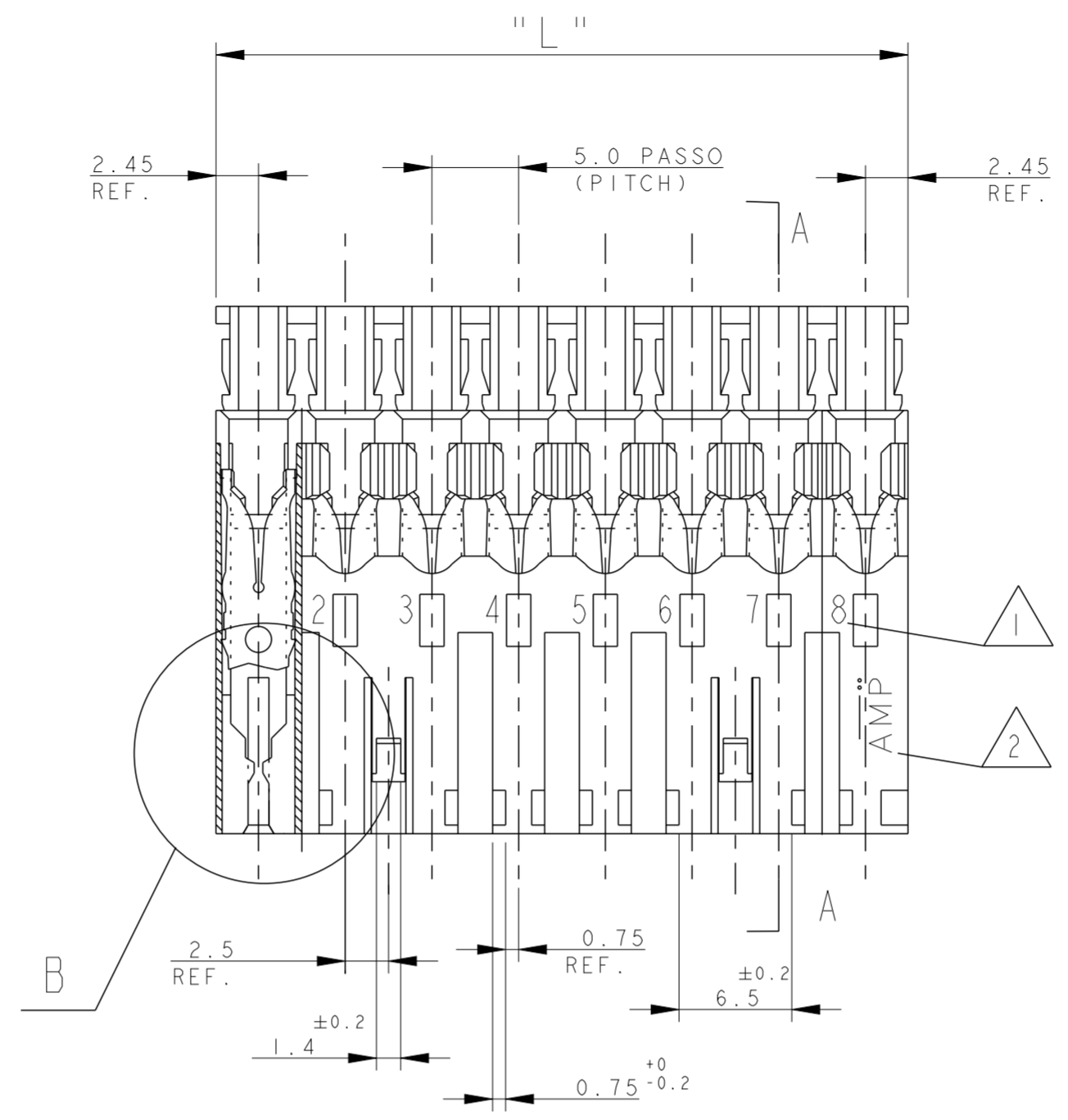
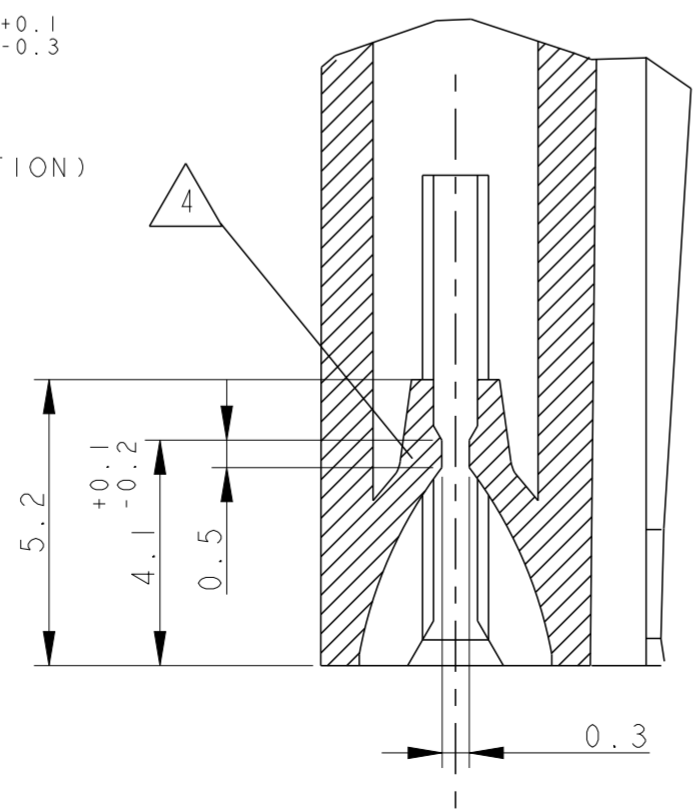
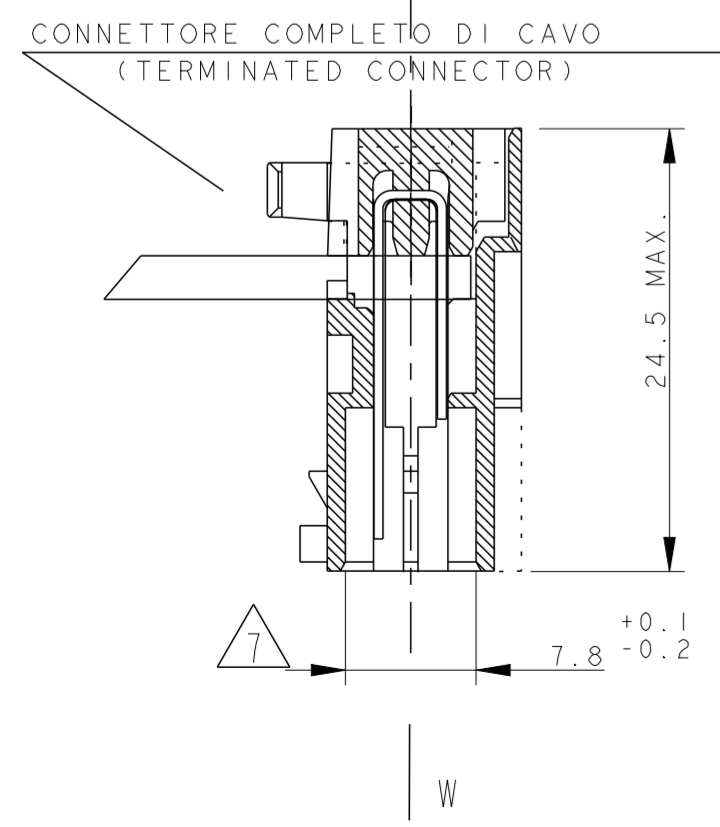
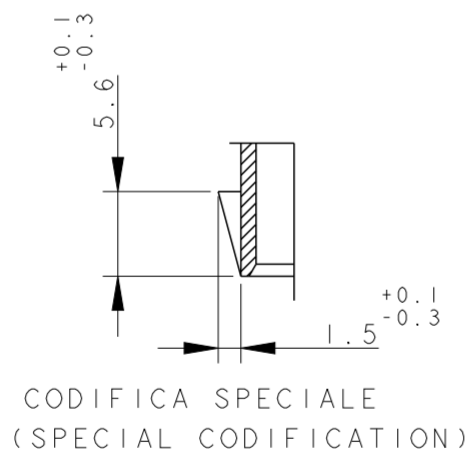
VISTE SOLO PER RIFERIMENTO
 VIEWS ONLY FOR REFERENCE

REVISIONS				
P	LTR	DESCRIPTION	DATE	APVD
D7	ECR-15-010515		14JUL2015	FL RR
D8	ECR-15-013057		08OCT2015	FL RR
D9	ECR-16-013091		14SEP2016	FV RR
D10	ECR-17-002999		07MAR2017	IZ RR

COLOR CODE STRIP ALLOCATO
 IN QUESTA AREA DEL COVER
 (COLOR CODE STRIP)
 (LOCATED ON THE COVER AS SHOWN)

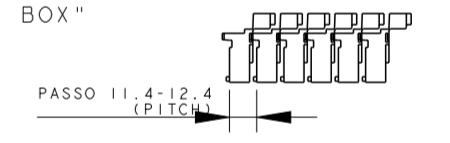


ALETTE DI POLARIZZAZIONE A FILO BLOCCHETTO
 (POLARIZATION RIBS AT THE END OF CONNECTOR)
 (VEDERE FOGLIO 2/2)
 (SEE SHEET 2 OF 2)



- 1) NUMERI DI IDENTIFICAZIONE CAVITA' (CIRCUIT IDENTIFICATION)
- 2) MARCHIO DI FABBRICA (LIBERA POSIZIONE) (AMP LOGO FREE POSITION)
- 3) L'AGGANCIO PER LINGUETTA E' POSIZIONATO SOLO NELLA CAVITA' No.1 ED E' RICHIESTA SOLO SUI CONNETTORI A 2 E 3 POSIZIONI (RETENTION TOOTH IS REQUESTED FOR THE 2 AND 3 POS. ONLY; IT IS LOCATED ON THE CAVITY No.1 ONLY)
- 4) GEOMETRIA ALTERNATIVA DEL DENTINO DI AGGANCIO. VEDI NOTA 3 PER ALTRI DETTAGLI (ALTERNATIVE SHAPE FOR RETENTION THOOTH. SEE NOTE 3 FOR ADDITIONAL DETAILS.)
- 5) PER QUESTI P-N LA POLARIZZAZIONE POSTERIORE DEVE INTENDERSI COMPLETA, A FINE BLOCCHETTO. (per la rappresentazione vedere foglio 1/2) (FOR THE INDICATE P.N'S THE POLARIZATION MUST BE AT THE END OF CONNECTOR)(see sheet 1 of 2).
- 6) - PART NUMBER NON IN PRODUZIONE (P/N. NOT YET RELEASED FOR PRODUCTION)
- 7) DIVENTA 6.5 PER LA CAVITA' N.RO 1 SOLO SUI CONNETTORI A 2,3 VIE. (BECOMES 6.5. FOR THE CAVITY NR.1 ON THE 2,3 POS. ONLY.)

- 9) PRODOTTO IDONEO SINO A 7A MAX, IN ACCORDO ALLA SPECIFICA DI PRODOTTO 108-20215 (PRODUCT SUITABLE UP TO 7A MAX, ACCORDING TO PRODUCT SPEC. 108-20215)
- 10) STATO DI FORNITURA: CONFEZIONAMENTO IN "VASSOI + SCATOLA" (PACKAGING: " ON TRAY PLUS CARTON BOX")



- 11) CONFEZIONAMENTO I:N BOBINA OBSOLETO (PACKAGING: "ON REEL" OBSOLETE)
- 12) OBSOLETE PARTS: OBSOLETE STREAMLINING PER D. RENAUD/ D. SINI
- 13) PRELIMINARY

2	HOUSING	NATURAL	PA GF
1	CONTATTO (CONTACT)	STAGNATO (TIN-PLATED)	OTTONE (BRASS)
ITEM	DENOMINAZIONE (DESCRIPTION)	FINITURA / COLORE (FINISH / COLOUR)	MATERIALE (MATERIAL)

THIS DRAWING IS A CONTROLLED DOCUMENT.

DIMENSIONS: mm	TOLERANCES UNLESS OTHERWISE SPECIFIED:	DWN COLOMBO 07MAY99	CHK C TARTARI 07MAY99	APVD G TURCO 07MAY99
0 PLC ±	0.3	NAME		
1 PLC ±		G. TURCO		
2 PLC ±		PRODUCT SPEC		
3 PLC ±		108-20215		
4 PLC ±		APPLICATION SPEC		
ANGLES ±2°		114-20016		
MATERIAL FINISH		WEIGHT	SIZE	CAGE CODE
SEE TABLE			A2	07779
		CUSTOMER DRAWING	DRAWING NO	RESTRICTED TO
			C-284338	-
		SCALE	SHEET	REV
			1 of 3	D10

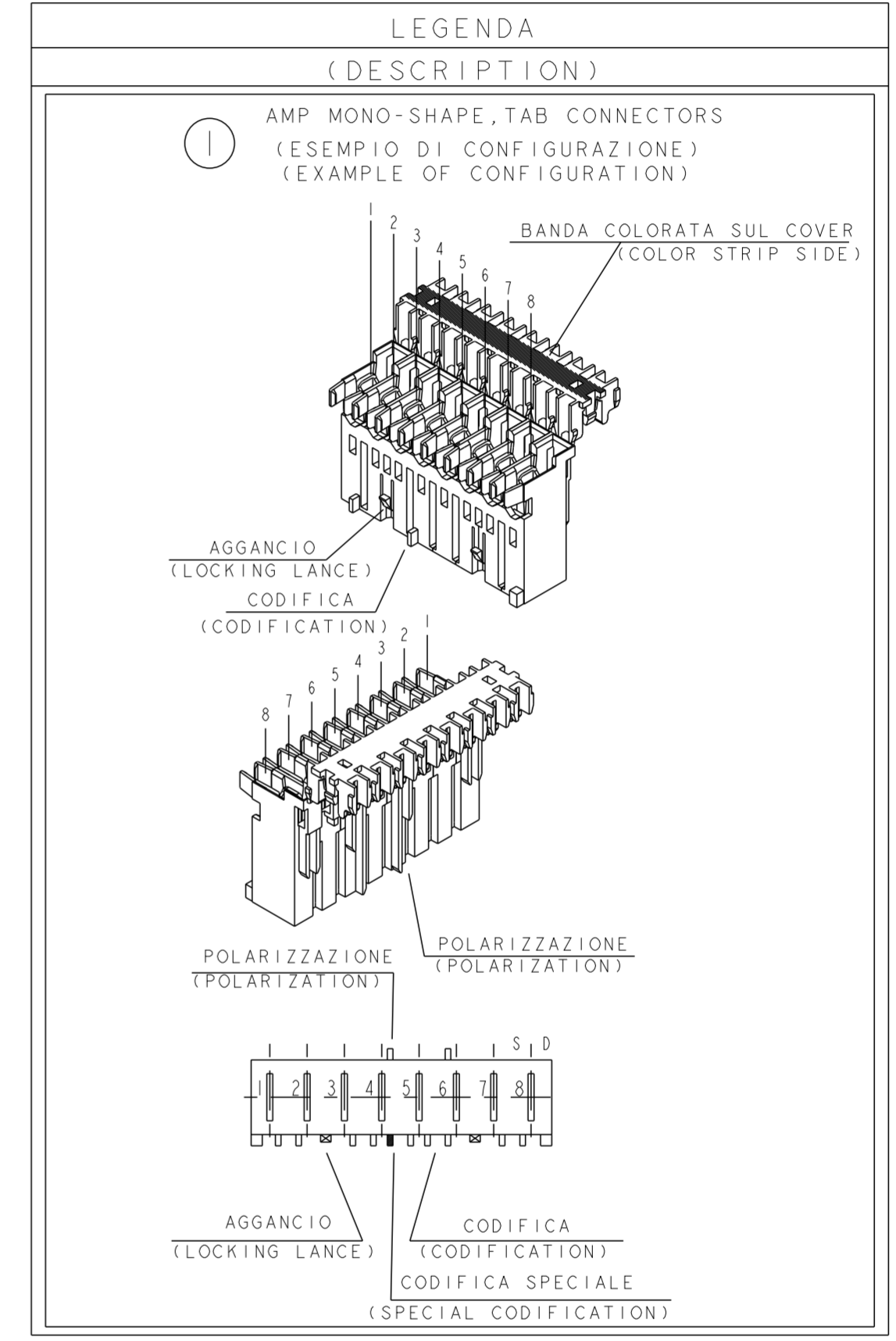
THIS DRAWING IS UNPUBLISHED. RELEASED FOR PUBLICATION 2014
 © COPYRIGHT 2014 Tyco Electronics AMP GmbH ALL RIGHTS RESERVED.

REVISIONS				
P	LTR	DESCRIPTION	DATE	APVD
-		SEE SHEET 1	-	-

AMP PART NUMBERS
ASS'Y CONN

NUMERO DI VIE	CONFIGURAZIONE (Vista connettore dall'alto) ①	VERSIONE PEZZI IN VASSOIO	REV.	VERSIONE PEZZI SCIOLTI	REV.	POSIZIONE POLARIZ. (LATO POSTERIORE)	POSIZIONE AGGANCI O (LATO ANTERIORE)	POSIZIONE CODIFICA PARTICOLARE (LATO ANTERIORE)	+0.2 -0.3 (mm)	NOTE MARCHIATURA CON BANDA COLORATA	CODICI RAST 5 RICAVABILI
NO. OF POS.	CONFIGURATION (View from top side) ①	ON TRAY PACKAGING VERSION	PART REV.	LOOSE PIECES PACKAGING VERSION	PART REV.	POLARIZ. POSITION (BACK SIDE)	LOCKING POSITION (FRONT SIDE)	SPECIAL CODIFICATION POSITION (FRONT SIDE)	+0.2 -0.3 (mm)	NOTE STRIP COLOUR	RAST 5 OBTAINABLE CODE
2		1-284338-1	C	2-284338-1	C	2S	1-2	-	9.9	NERO BLACK	02-C
2		1-284338-2	C	2-284338-2	C	1S 2D	1-2	-	9.9	-	02-B 02-E 02-F
2		1-284338-3	D	2-284338-3	D	2D	1-2	-	9.9	ROSSO RED	02-L
2		1-284338-4	C	-	-	1D 2S	1-2	-	9.9	BLU BLUE	02-A
2		1-284338-7	C	-	-	-	1-2	-	9.9	-	-
3		1-284339-1	C	2-284339-1	C	1D	1-2	-	14.9	ARANCIO ORANGE	03-A 03-I
3		1-284339-2	C	2-284339-2	C	2D 3D	2-3	-	14.9	BLU BLUE	03-B
3		1-284339-3	C	2-284339-3	C	1S 3D	1-2	-	14.9	VERDE GREEN	03-F
3		1-284339-4	C	2-284339-4	C	2D 3D	2-3	-	14.9	ROSSO RED	03-B
3		1-284339-5	C	2-284339-5	C	2D 3D	2-3	-	14.9	-	03-B
4		0-293140-1	A	-	-	3D	2-3	-	19.9	-	-
5		0-293141-1	A	-	-	4D	4-5	-	24.9	-	-
5		0-293141-2	A	-	-	1S 5D	-	3D	24.9	NERO BLACK	-
6		0-293142-1	A	-	-	3D 5D	-	5S	29.9	NERO BLACK	-
7		0-293143-1	A	-	-	4D 6D	-	6S	34.9	VIOLA VIOLET	-
7		0-293143-2	I	-	-	-	1-2 5-6	-	34.9	-	-
7		293143-3	I	-	-	1S 6D	-	4D	34.9	-	-
8		1-284685-1	C	2-284685-1	C	2D-4D 6S-6D	-	4S	39.9	-	-
10		1-284686-1	C	2-284686-1	C	6D-8S	4-5 8-9	6S	49.9	-	-

VISTE SOLO PER RIFERIMENTO
VIEWS ONLY FOR REFERENCE



THIS DRAWING IS A CONTROLLED DOCUMENT.

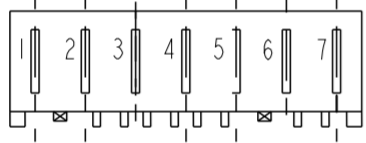
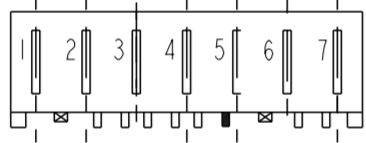
DWN	COLOMBO	07MAY99	 TE Connectivity				
CHK	G. TARTARI	07MAY99					
APVD	G. TURCO	07MAY99					
PRODUCT SPEC	108-20215						
APPLICATION SPEC	114-20016		NAME	AMP MONO-SHAPE L.I.F TAB CONNECTORS POS 2-10			
WEIGHT	-		SIZE	CAGE CODE	DRAWING NO	RESTRICTED TO	
MATERIAL	SEE TABLE		A2	0779	C-284338	-	
CUSTOMER DRAWING			SCALE	SHEET	2 OF 3	REV	D10


THIS DRAWING IS UNPUBLISHED. RELEASED FOR PUBLICATION 2014
 © COPYRIGHT 2014 Tyco Electronics AMP GmbH ALL RIGHTS RESERVED.

REVISIONS				
P	LTR	DESCRIPTION	DATE	APVD
-	-	SEE SHEET 1	-	-

PA GF, UL-V0 GWEPT 750°C NO FLAME, NATURAL

ON TRAY VERSION

No. OF POS	CONFIGURATION (SEE TYP. SECT. ONLY FOR REF.)	P/N ASS'Y 8	PART REV.	POLARIZ. POSITION (BACK SIDE)	LOCKING POSITION (FRONT SIDE)	SPECIAL CODIFICAT. POSITION (FRONT SIDE)	L (mm)	NOTE MARCHIATURA CON BANDA COLORATA	CODICI RAST 5 RICAVABILI
13 2		2293392-2	I	-	-	-	9.9	-	-
13 3		2293392-3	I	-	-	-	14.9	-	-
13 4		2293392-4	I	-	-	-	19.9	-	-
13 5		2293392-5	I	-	-	-	24.9	-	-
13 6		2293392-6	I	-	-	-	29.9	-	-
7		2293392-7	D	-	1-2 5-6	-	34.9	-	-
7		1-2293392-7	D	-	1-2 5-6	5S	34.9	-	-
13 8		2293392-8	I	-	-	-	39.9	-	-
13 9		2293392-9	I	-	-	-	44.9	-	-
13 10		1-2293392-0	I	-	-	-	49.9	-	-

THIS DRAWING IS A CONTROLLED DOCUMENT.		DWN COLOMBO 07MAY99	 TE Connectivity	
DIMENSIONS: mm		CHK G. TARTARI 07MAY99		
TOLERANCES UNLESS OTHERWISE SPECIFIED:		APVD G. TURCO 07MAY99	NAME AMP MONO-SHAPE L.I.F TAB CONNECTORS POS 2-10	
0 PLC ±		PRODUCT SPEC 108-20215	SIZE CAGE CODE DRAWING NO RESTRICTED TO	
1 PLC ±		APPLICATION SPEC 114-20016	A200779 C-284338	
2 PLC ±		WEIGHT -	SCALE SHEET 3 OF 3 REV D10	
3 PLC ±		CUSTOMER DRAWING		
4 PLC ±				
ANGLES ±°				
FINISH				
MATERIAL SEE TABLE				
SEE TABLE				