

POSITIONS	NO. OF CONTACTS SINGLE / DUAL	A		B	
		INCH	MM	INCH	MM
2	02/04	0.100	2.54	0.220	5.58
3	03/06	0.200	5.08	0.320	8.12
4	04/08	0.300	7.62	0.420	10.66
5	05/10	0.400	10.16	0.520	13.20
6	06/12	0.500	12.70	0.620	15.74
7	07/14	0.600	15.24	0.720	18.28
8	08/16	0.700	17.78	0.820	20.82
9	09/18	0.800	20.32	0.920	23.36
10	10/20	0.900	22.86	1.020	25.90
11	11/22	1.000	25.40	1.120	28.44
12	12/24	1.100	27.94	1.220	30.98
13	13/26	1.200	30.48	1.320	33.52
14	14/28	1.300	33.02	1.420	36.06
15	15/30	1.400	35.56	1.520	38.60
16	16/32	1.500	38.10	1.620	41.14
17	17/34	1.600	40.64	1.720	43.68
18	18/36	1.700	43.18	1.820	46.22
19	19/38	1.800	45.72	1.920	48.76
20	20/40	1.900	48.26	2.020	51.30
21	21/42	2.000	50.80	2.120	53.84
22	22/44	2.100	53.34	2.220	56.38
23	23/46	2.200	55.88	2.320	58.92
24	24/48	2.300	58.42	2.420	61.46
25	25/50	2.400	60.96	2.520	64.00
26	26/52	2.500	63.50	2.620	66.54
27	27/54	2.600	66.04	2.720	69.08
28	28/56	2.700	68.58	2.820	71.62
29	29/58	2.800	71.12	2.920	74.16
30	30/60	2.900	73.66	3.020	76.70
31	31/62	3.000	76.20	3.120	79.24
32	32/64	3.100	78.74	3.220	81.78
33	33/66	3.200	81.28	3.320	84.32
34	34/68	3.300	83.82	3.420	86.86
35	35/70	3.400	86.36	3.520	89.40
36	36/72	3.500	88.90	3.620	91.94
37	37/74	3.600	91.44	3.720	94.48
38	38/76	3.700	93.98	3.820	97.02
39	39/78	3.800	96.52	3.920	99.56
40	40/80	3.900	99.06	4.020	102.10

PART NUMBER CODING

xPxCxx xLFBN-RC

NUMBER OF ROWS

1 = SINGLE ROW
2 = DUAL ROWS

NUMBER OF POSITIONS

(CONTACTS PER ROW, 02 THRU 40)

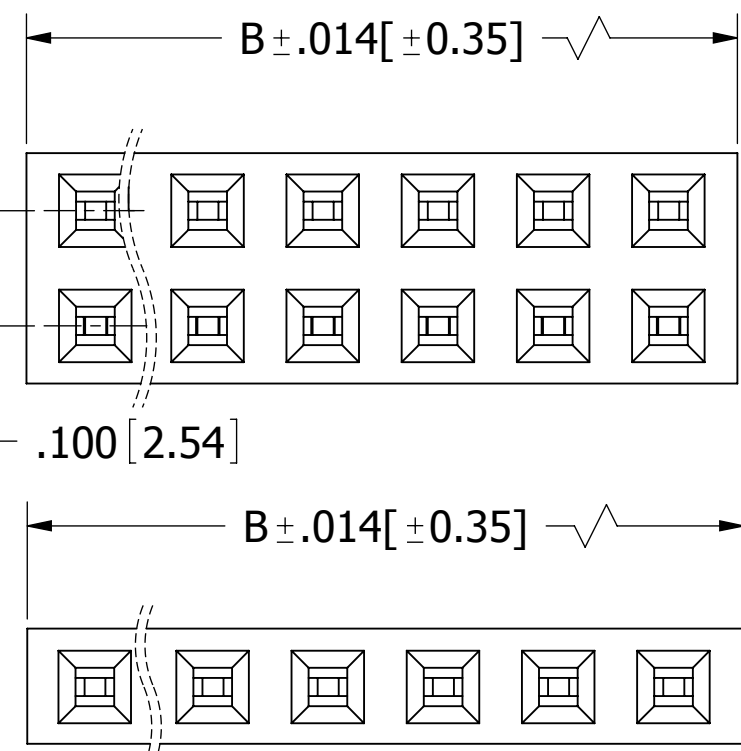
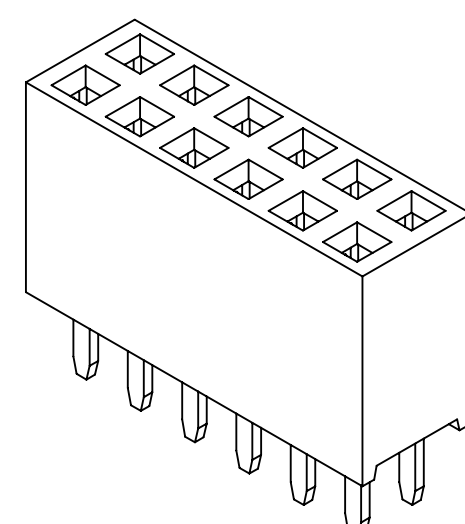
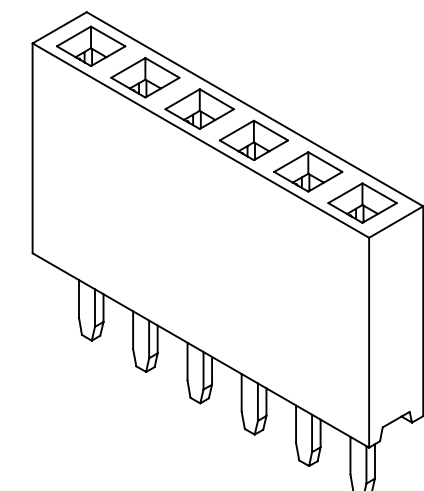
PLATING

(.000030"~.000050" NICKEL UNDER PLATED)
P = GOLD FLASH OVERALL
T = TIN OVERALL

INSULATOR MATERIAL

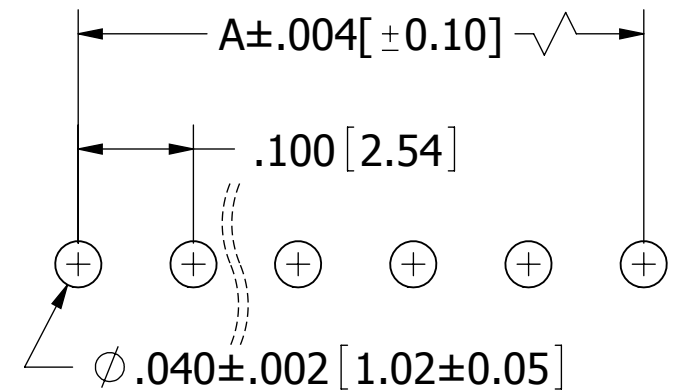
P = POLYESTER, UL 94V-0.
PROCESSING TEMP. = WAVE ONLY.
N = NYLON 6T.
*PROCESSING TEMP. = 260° C FOR 10 SECS.

REVISIONS				
REV.	ECO. NO	DESCRIPTION	DATE	BY
E	1869	UPDATE MAX CONTACT DEPTH, TOLERANCE & NOTE, ADD SINGLE ROW PCB LAYOUT	12/23/2008	JH
F	2055	UPDATE MIN. CONTACT DEPTH TO 2.29mm (WAS 3.175), MAX. CONTACT DEPTH TO 6.00mm (WAS 6.05), INSULATOR WIDTH TO 2.50mm (WAS 2.54) FOR 1-ROW, 5.08mm (WAS 5.00) FOR 2-ROW	11/12/09	LH
G	2164	CORRECT STANDOFF ON THE RIGHT VIEW AND THE ISO VIEW.	7/28/2010	LH
H	2516	UPDATE CONTACT POINT DIST TO REF, ADD NOTE 10 PROCESSING TEMP. & NOTE 11 MATING PARTS	02/14/2012	LH

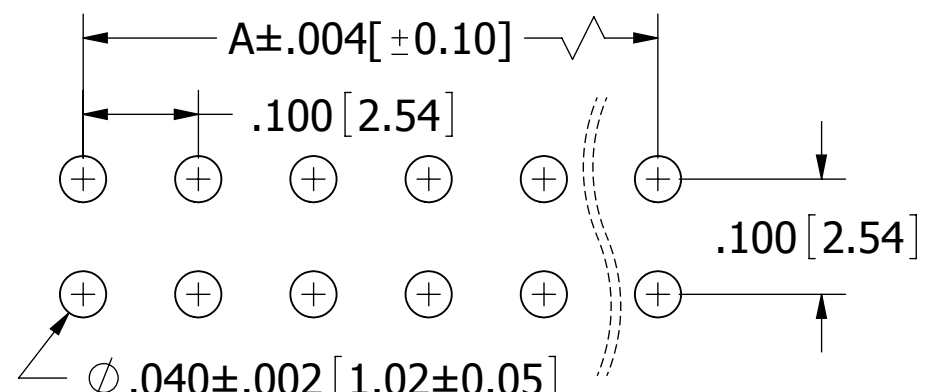


DUAL ROWS

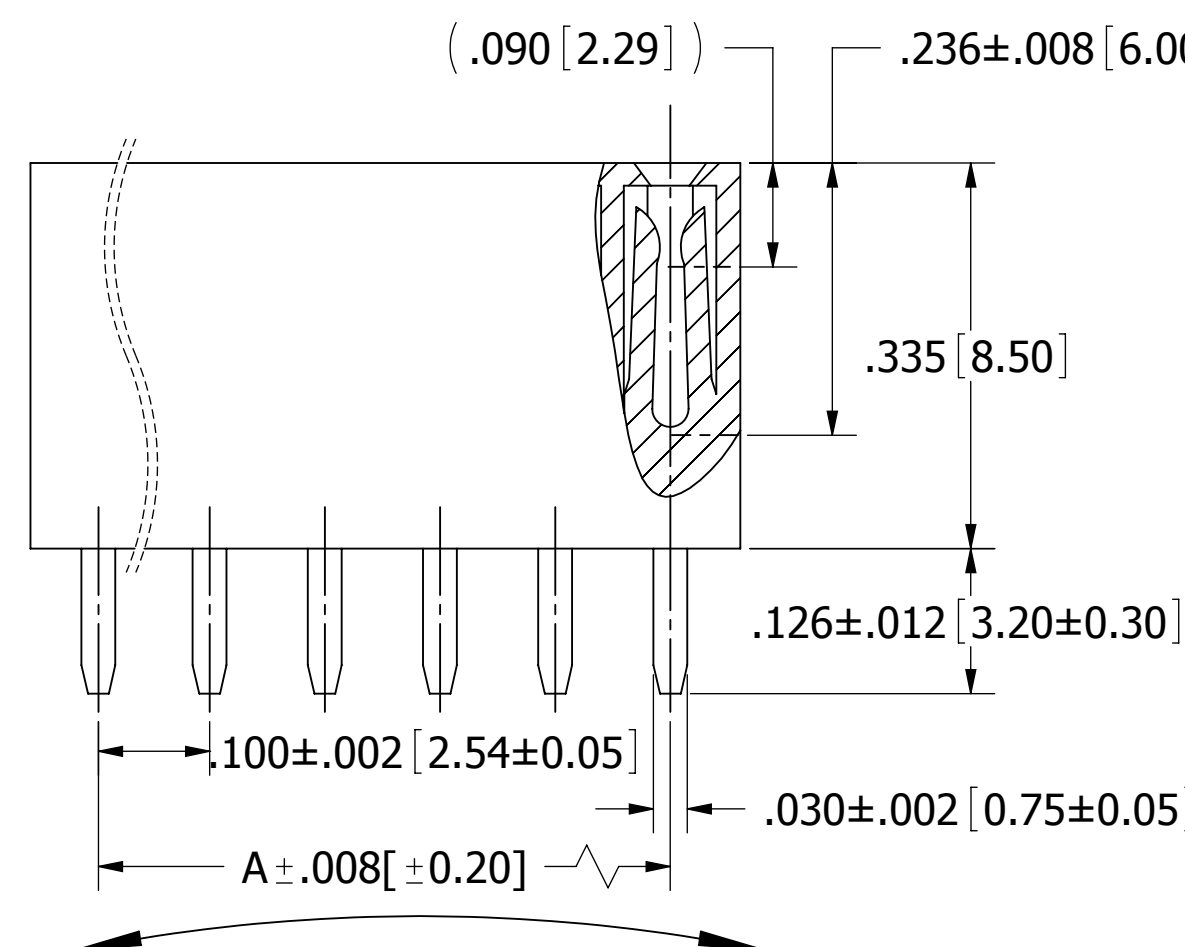
SINGLE ROW



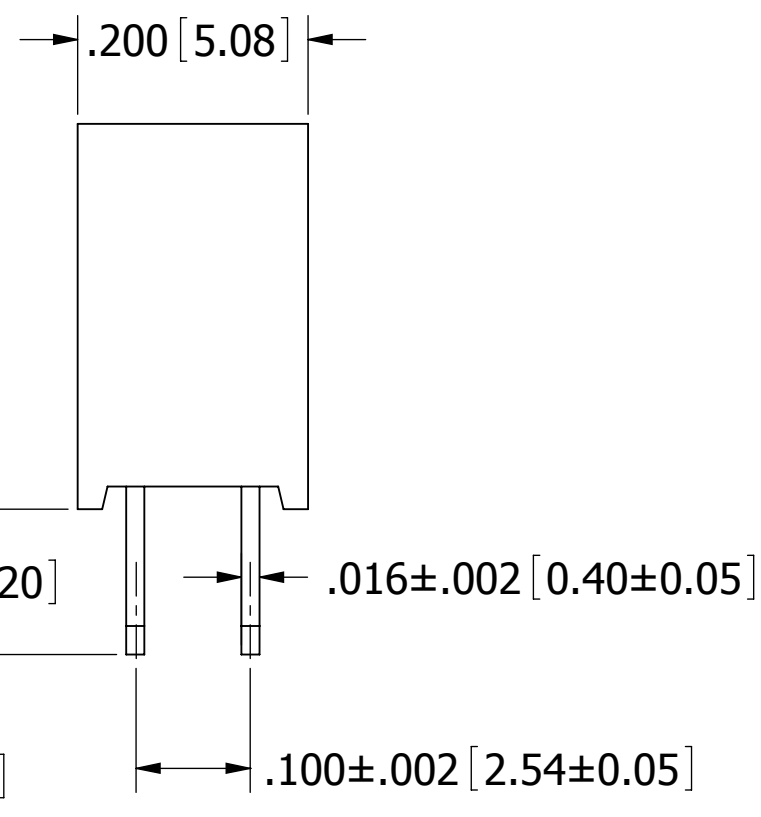
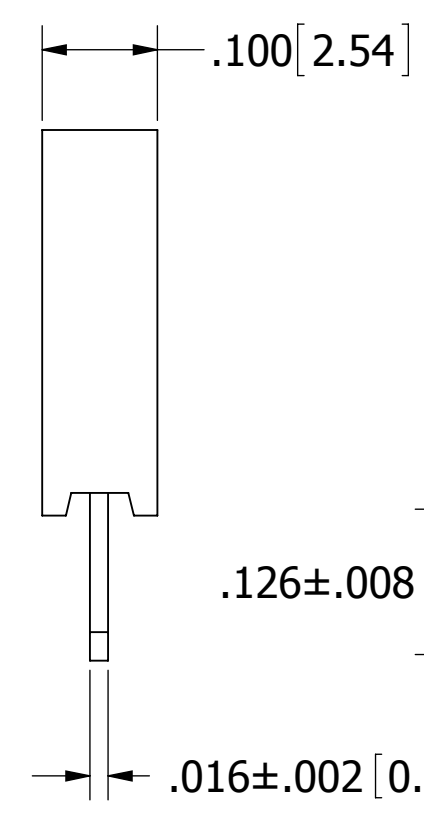
RECOMMENDED PCB LAYOUT SINGLE ROW TOLERANCE: ±.002 [±0.05]



RECOMMENDED PCB LAYOUT DUAL ROWS TOLERANCE: ±.002 [±0.05]

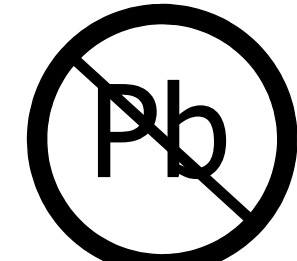


02-20, 0.20mm MAX.
21-30, 0.30mm MAX.
31-40, 0.40mm MAX.



- NOTES:**
- INSULATOR MATERIAL: SEE PART NUMBER CODING.
 - CONTACT MATERIAL: .PHOSPHOR BRONZE.
 - CONTACT PLATING: SEE PART NUMBER CODING.
 - CURRENT RATING: 3 AMPS PER CONTACT.
 - VOLTAGE RATING: 250V AC/DC
 - INSULATOR RESISTANCE: 5000 MEGOHMS MIN.
 - CONTACT RESISTANCE: 20 MILLIOHMS MAX.
 - DIELECTRIC WITHSTANDING: 500V AC.
 - OPERATING TEMPERATURE: -40° C TO +105° C.
 - *MAX PROCESSING TEMP.: SEE PART NUMBER CODING.
 - MATES WITH SULLINS .100 [2.54] CONTACT CENTER MALE HEADER SERIES. (.025 [0.64] SQUARE POSTS)

*INDICATED TEMPERATURE AND TIME IS FOR COMPONENT INSULATOR. HIGHER PROCESSING TEMPERATURES MAY BE USED, PROVIDED HEAT IS APPLIED FROM BACK SIDE OF PCB, AND INSULATOR DOES NOT EXCEED INDICATED TEMPERATURE AND TIME.



RoHS COMPLIANT

UNLESS OTHERWISE SPECIFIED: DIMENSIONS ARE IN INCHES [MM]	DRAWN	DATE	NAME	
		12/15/2008	JH	
TOLERANCES: ANGULAR: ± 5° DECIMALS .X = ± .012 [30] .XX = ± .008 [20] .XXX = ± .006 [15]	THE INFORMATION HEREIN CONTAINS PROPRIETARY INFORMATION OF SULLINS ELECTRONICS AND IS NOT TO BE REPRODUCED, USED OR DISCLOSED TO OTHERS FOR ANY PURPOSE EXCEPT AS SPECIFICALLY AUTHORIZED IN WRITING BY AN OFFICER OF SULLINS ELECTRONICS.			TITLE
				HEADER FEMALE, 2.54mm CC, ST
PART NUMBER				
xPxCxxxLFBN-RC				
SIZE	CAGE CODE	DWG. NO.	REV	
C	54453	10492	H	
SCALE: 16:1		SHEET 1 OF 1		