

THIS DRAWING IS UNPUBLISHED. RELEASED FOR PUBLICATION
 © COPYRIGHT BY TYCO ELECTRONICS CORPORATION. ALL INTERNATIONAL RIGHTS RESERVED.

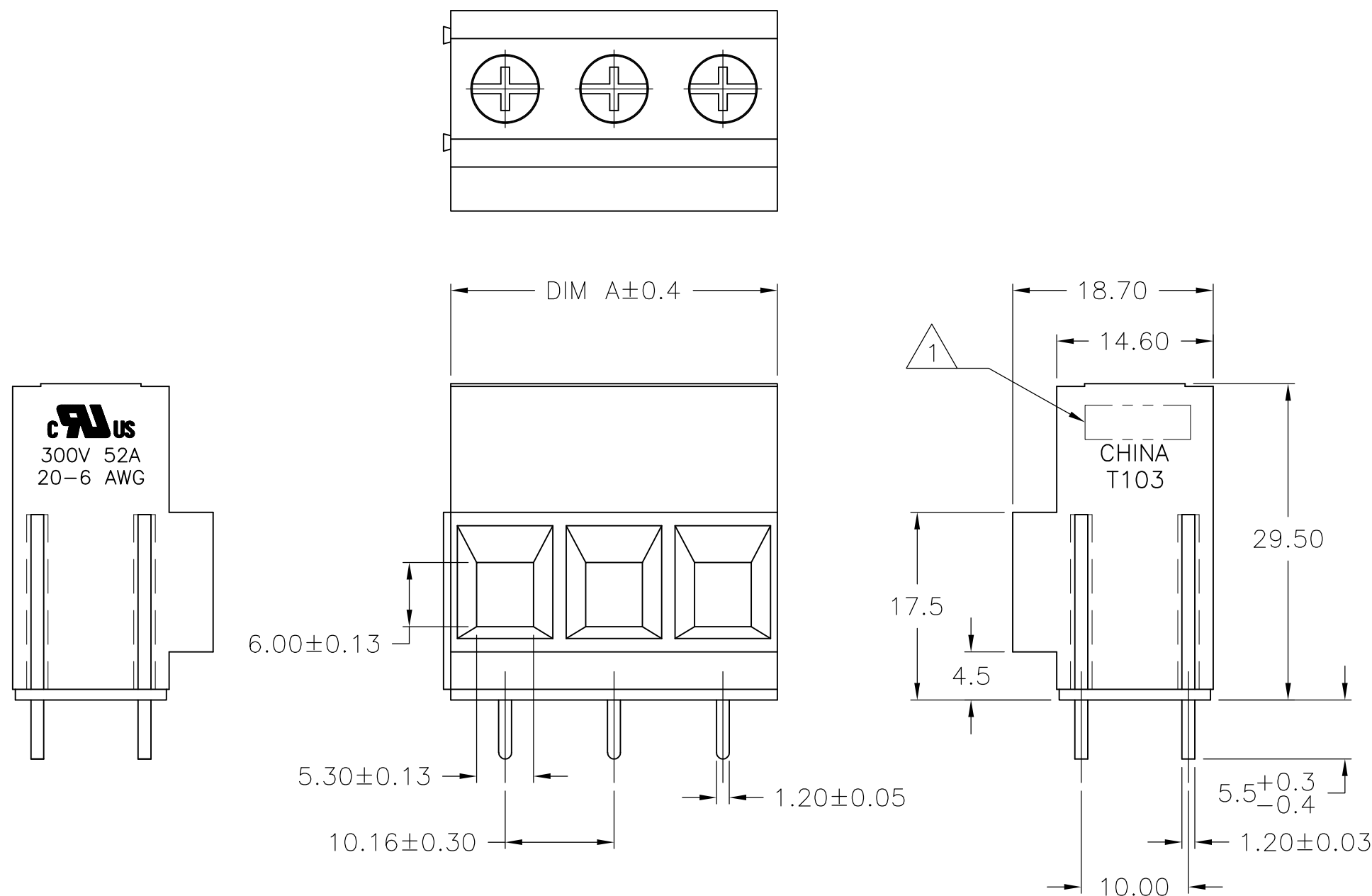
LOC FT	DIST 0	REVISIONS			
P	LTR	DESCRIPTION	DATE	DWN	APVD
	B7	REVISED PER ECO-10-009456	10MAY10	HMR	CR

MATERIAL:
 HOUSING: PA66, UL94V-0, COLOR: SEE TABLE
 PIN: BRASS, TIN PLATED
 WIRE GUARD: BRASS, NICKEL PLATED
 SCREWS: M4, STEEL, ZINC PLATED

ELECTRICAL:
 VOLTAGE RATING: 300V
 CURRENT RATING: 52A
 CONTACT RESISTANCE: 200mohm
 INSULATION RESISTANCE: 5000Mohm/1000V
 WITHSTANDING VOLTAGE: AC2000V/1 MIN
 WIRE RANGE: 6-8 STRANDED AND
 10-20 SOLID OR STRANDED

MECHANICAL:
 WORKING TEMP.: -40°C TO +105°C
 MAX SOLDERING: +250°C FOR 5 SEC.
 TIGHTENING TORQUE: 10.16 IN-LB

△ 1 TE LOGO LOCATED IN APPROXIMATE AREA SHOWN.



BLACK	30.48	3	1-1776886-3
BLACK	20.32	2	1-1776886-2
GREEN	30.48	3	1776886-3
GREEN	20.32	2	1776886-2
COLOR	DIM A	NO OF POS	PART NUMBER

THIS DRAWING IS A CONTROLLED DOCUMENT.		DWN S SCHLEGEL	25AUG2006	Tyco Electronics Corporation Harrisburg, PA 17105-3608	
DIMENSIONS: mm		CHK -	APVD -	NAME TERMINAL BLOCK, POWER CONNECTOR 10.16 PITCH	
TOLERANCES UNLESS OTHERWISE SPECIFIED: 0 PLC ± - 1 PLC ± 0.3 2 PLC ± 0.25 3 PLC ± - 4 PLC ± - ANGLES ± -		PRODUCT SPEC -	APPLICATION SPEC -	SIZE A3	CAGE CODE 00779
MATERIAL -		FINISH -	WEIGHT -	DRAWING NO C-1776886	RESTRICTED TO -
CUSTOMER DRAWING			SCALE 2:1	SHEET 1 OF 1	REV B7