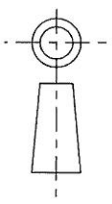
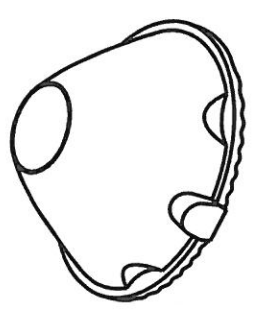
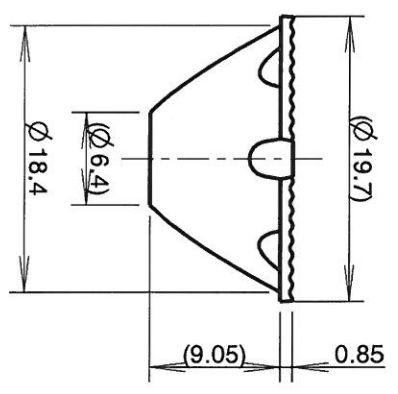
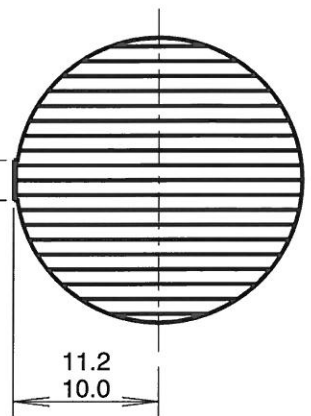


A	ISS.	DATE	E.C.N.	DESCRIPTION
2	15-Jan-07	1/07/1198	SCALLOP SIZE INCREASED	
2A	20-09-12	09/12/1348	TOLERANCE CHANGE	

© 2011 CTP-COIL
ALL DIMENSIONS IN mm



CUSTOMER DRAWING



3D VIEW

NOTES:-
1. MATERIAL: UV STABILISED POLYCARBONATE



technical plastics

CARCLO TECHNICAL PLASTICS (SLOUGH)
103 BUCKINGHAM AVE, SLOUGH
SL1 4PF, ENGLAND
TEL: +44 1753 610800 FAX: +44 1753 811359
e-mail: design@carclo-optics.com

GENERAL TOLERANCES (UNLESS STATED)

LINEAR	ANGULAR
X +/- 0.25	X +/- 1°
X.X +/- 0.1	X.X +/- 0.5°
X.XX +/- 0.05	X.XX +/- 0.1°

CARCLO

LED Optic 25 Deg Linear
Orthogonal Variant

TITLE	DATE	DATE
DRAWN	AJD	28-Jul-06
CHK'D	DATE	
APP'D	DATE	

SCALE: CARCLO PART No. 10192

2:1

CARCLO DRG. No. 60430

A4 SHEET 2 OF 2