

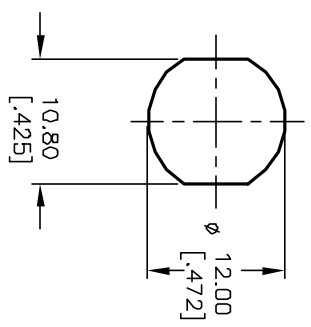
CIRCUIT: SPST  
CONTACT CONFIGURATION

SWITCH FUNCTION	POS 1	POS 2
↶		
↷		
DNF		DN

LEGEND

- =OFF POSITION
- =INDICATES KEY PULL
- ⊗ =INDICATES NO KEY PULL

RECOMMENDED PANEL CUTOUT



NOTES:

1. ALL DIMENSIONS IN MM [INCH]
2. GENERAL TOLERANCE: X.X=±0.4  
X.XX=±0.25
3. TERM. NOS. FOR REFERENCE ONLY.
4. RATING: 1A @125VAC, 0.5A @250VAC
5. CONTACT RESISTANCE: 10mΩ-1-Ω
6. DIELECTRIC STRENGTH: 1000 VAC-1Minute
7. MATERIALS:

HOUSING: ZINC ALLOY DIE CAST  
CYLINDER: ZINC ALLOY W/CHROME PLATING  
TERMINAL AND CONTACTS: SILVER PLATED  
KEYS (2) KEY CODE 1097: ZINC ALLOY, CHROME PLATING

REV.	ECN No.	DESCRIPTION	DATE	CHKD
A	11732	RELEASED FOR PRODUCTION	10/19/01	CJB

TITLE				
K0132A-1097				
SCALE	DATE	DR	DWG	REV
1.5:1	10/19/01	CJB	K400113	A



THE INFORMATION CONTAINED IN THIS DOCUMENT IS PROPRIETARY TO E-SWITCH AND IS NOT TO BE COPIED OR TRANSFERRED