

15.6	13.6	17.1	501591-7011	501591-7010	70
12.4	10.4	13.9	501591-5411	501591-5410	54
11.6	9.6	13.1	501591-5011	501591-5010	50
10.4	8.4	11.9	501591-4411	501591-4410	44
9.6	7.6	11.1	501591-4011	501591-4010	40
8.4	6.4	9.9	501591-3411	501591-3410	34
7.6	5.6	9.1	501591-3011	501591-3010	30
6.8	4.8	8.3	501591-2611	501591-2610	26
6.4	4.4	7.9	501591-2411	501591-2410	24
6.0	4.0	7.5	501591-2211	501591-2210	22
5.6	3.6	7.1	501591-2011	501591-2010	20
4.0	2.0	5.5	501591-1211	501591-1210	12
3.6	1.6	5.1	501591-1011	501591-1010	10
C	B	A	EMBOSSD TAPE PACKAGE	MATERIAL NO.	CIRCUIT
			ORDER No.		

REVISED EC NO: J2008-3370 DRW/KSETO 2008/06/17 CHK/D:MSASAO 2008/06/17 APPR:MSASAO 2008/06/25	GENERAL TOLERANCES (UNLESS SPECIFIED)		DIMENSION STYLE MM ONLY		SCALE ---	DESIGN UNITS METRIC		THIRD ANGLE PROJECTION	
	10 UNDER	± 0.2	DRAWN BY	DATE	TITLE				
	10 OVER 30 UNDER	± 0.25	TASAKAWA	2006/07/10	0.4MM PITCH B/B CONN. H=0.9 W=3.4 REC ASSY				
	30 OVER	± 0.3	CHECKED BY	DATE	MOLEX INCORPORATED				
	ANGULAR ± 3 °	MSASAO	2006/07/10	APPROVED BY		MATERIAL NO.		DOCUMENT NO.	
	DRAFT WHERE APPLICABLE MUST REMAIN WITHIN DIMENSIONS	MSASAO	2006/07/10	SEE TABLE		SD-501591-005		SHEET NO. 1 OF 2	
				THIS DRAWING CONTAINS INFORMATION THAT IS PROPRIETARY TO MOLEX INCORPORATED AND SHOULD NOT BE USED WITHOUT WRITTEN PERMISSION					

注記 NOTES

1. 使用材料
MATERIAL

ハウジング：液晶ポリマー (LCP) ガラス充填 UL-94V-0 (黒)
HOSING : LIQUID CRYSTAL POLYMER (GLASS FILLED) UL94V-0 (COLOR:BLACK)

ターミナル：りん青銅 (t=0.1)
TERMINAL : PHOSHOR BRONZE (t=0.1)

金具：りん青銅 (t=0.1)
FITTING NAIL : PHOSHOR BRONZE (t=0.1)

2. メッキ仕様
PLATING

ターミナル
TERMINAL

金メッキ 0.1マイクロメートル以上 (コンタクト部)
GOLD 0.1 MICROMETER MINIMUM (CONTACT AERA)

金メッキ 0.05マイクロメートル以上 (テール部)
GOLD 0.05 MICROMETER MINIMUM (TAIL AERA)

下地メッキ：ニッケルメッキ 1.0 マイクロメートル以上
UNDER PLATING : NICKEL 1.0 MICROMETER MINIMUM

金具
FITTING NAIL

錫メッキ :1.0マイクロメートル以上
TIN PLATING :1.0 MICROMETER MINIMUM

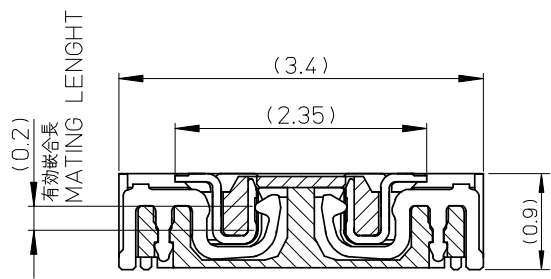
下地メッキ :ニッケル 1.0マイクロメートル以上
UNDER PLATING :NICKEL 1.0 MICROMETER MINIMUM

△ (全極数/2)=偶数の場合に適用
APPLY FOR (CIRCUIT/2)=EVEN

4. 嵌合相手 : 501594-**10 シリーズ
WITH MATE : 501594-**10 SERIES

5. テール及び金具の平坦度は、0.1以下
TAIL AND FITTING NAIL COPLANARITY TO BE 0.1 MAXIMUM

6. ELV AND RoHS COMPLIANT.

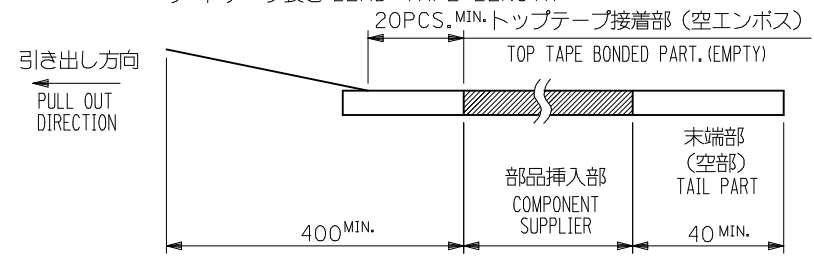
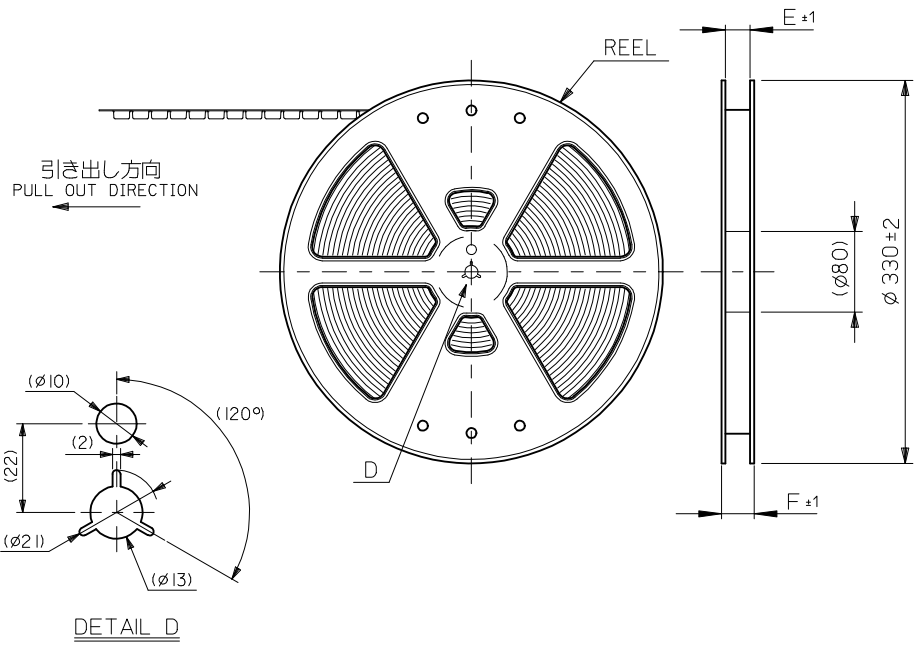


嵌合断面図 (参考)
MATED DRAWING

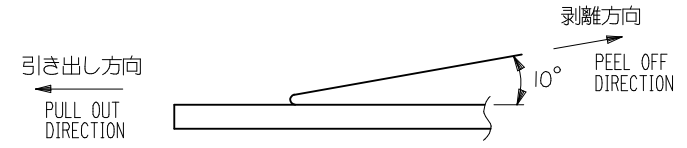
REVISED EC NO: J2008-3370 DRWN:KSETO 2008/06/17 CHK:MSASAO 2008/06/17 APPR:MSASAO 2008/06/25 T REV	GENERAL TOLERANCES (UNLESS SPECIFIED)		DIMENSION STYLE MM ONLY		SCALE ---	DESIGN UNITS METRIC	THIRD ANGLE PROJECTION	
	10 UNDER	±0.2	DRAWN BY TASAKAWA	DATE 2006/07/10	TITLE 0.4MM PITCH B/B CONN. H=0.9 W=3.4 REC ASSY			
	10 OVER 30 UNDER	±0.25	CHECKED BY MSASAO	DATE 2006/07/10				
	30 OVER	±0.3	APPROVED BY MSASAO	DATE 2006/07/10	MOLEX INCORPORATED MATERIAL NO. DOCUMENT NO. SD-501591-005 SHEET NO. 2 OF 2			
	ANGULAR	±3 °	SEE SHEET 1					
DRAFT WHERE APPLICABLE MUST REMAIN WITHIN DIMENSIONS			SIZE A3	THIS DRAWING CONTAINS INFORMATION THAT IS PROPRIETARY TO MOLEX INCORPORATED AND SHOULD NOT BE USED WITHOUT WRITTEN PERMISSION				

NOTES

- 製品詳細寸法については製品単体図面を参照下さい。
RE DETAILED DIMENSION, SEE PRODUCT DRAWING.
- 梱包数量： 3000 個/リール
NUMBER OF CONNECTORS : 3000 PCS/REEL
- リードテープ長さ LEAD TAPE LENGTH



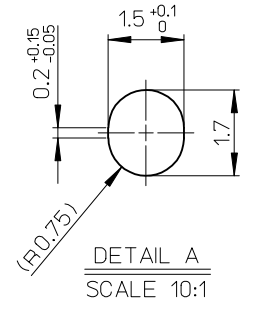
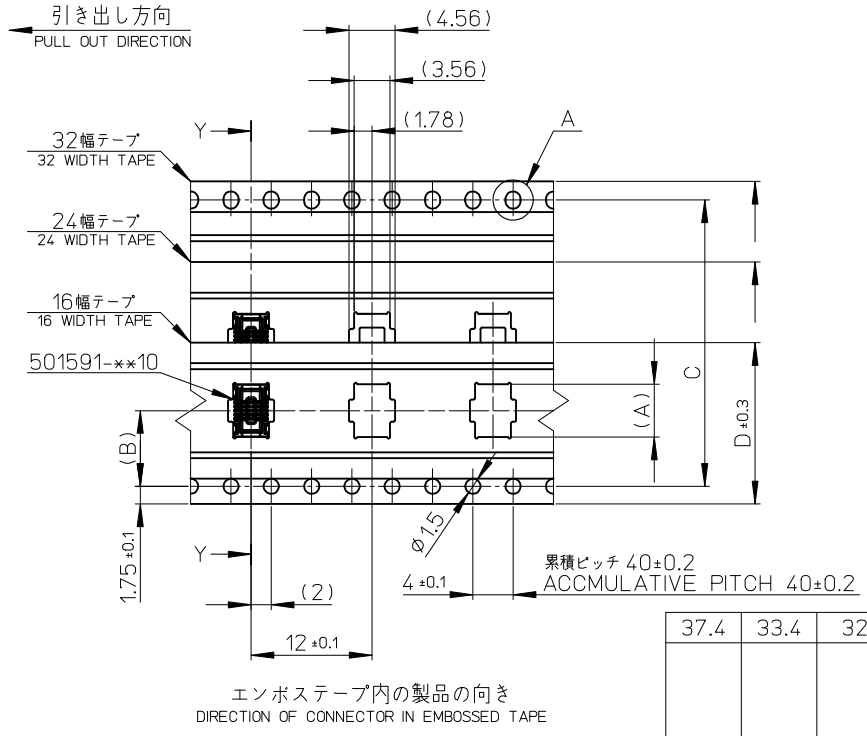
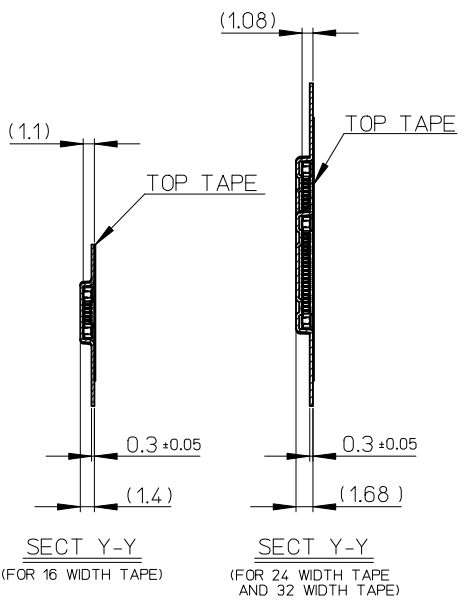
- トップテープの剥離強度： JES-59 参照
剥離方向は下図参照。
PEELING OFF STRENGTH OF TOP TAPE : REFER TO JES-59
PEELING DIRECTION AS SHOWN IN FOLLOWING FIGURE.



- 材料 MATERIAL
キャリアテープ (CARRIER TAPE) : ホリスチレン (POLYSTYLENE)
トップテープ (TOPTAPE) : PET , PE , PEF
リール (REEL) : ポリスチレン (PS) <リサイクル材を含む>
POLYSTYLENE (PS) <RECYCLE MATERIAL CONTAINED>

6.ELV AND RoHS COMPLIANT.

REVISED EC NO: J2008-3370 DRW:KSETO 2008/06/17 CHKD:MSASAO 2008/06/17 APPR:MSASAO 2008/06/25	DESCRIPTION REV	GENERAL TOLERANCES (UNLESS SPECIFIED)		DIMENSION STYLE MM ONLY		SCALE ---	501591-**11	MODEL NO.	
		10 UNDER ±0.2		DRAWN BY DATE TASAKAWA 2006/07/10		TITLE	DESIGN UNITS METRIC		
		10 OVER 30 UNDER ±0.25		CHECKED BY DATE MSASAO 2006/07/10		THIRD ANGLE PROJECTION			
		30 OVER ±0.3		APPROVED BY DATE MSASAO 2006/07/10		0.4 B-TO-B CONN. REC ASSY (HGT=0.9) EMBSTP PKG			
ANGULAR ±3 °		DRAFT WHERE APPLICABLE MUST REMAIN WITHIN DIMENSIONS		MATERIAL NO. SEE SHEET 1		DOCUMENT NO. SD-501591-006		SHEET NO. 1 OF 2	
				SIZE A3		THIS DRAWING CONTAINS INFORMATION THAT IS PROPRIETARY TO MOLEX INCORPORATED AND SHOULD NOT BE USED WITHOUT WRITTEN PERMISSION			



37.4	33.4	32	28.4	14.2	17.26	501591-7011	70
					14.06	501591-5411	54
					13.26	501591-5011	50
					12.06	501591-4411	44
					11.26	501591-4011	40
29.4	25.4	24	—	11.5	10.06	501591-3411	34
					9.26	501591-3011	30
					8.46	501591-2611	26
					8.06	501591-2411	24
					7.66	501591-2211	22
					7.26	501591-2011	20
21.4	17.4	16	—	7.5	5.66	501591-1211	12
					5.26	501591-1011	10
F	E	D	C	(B)	(A)	MATERIAL No.	極数 CKT

REVISED EC NO: J2008-3370 DRW:KSE10 2008/06/17 CHK:D:MSASAO 2008/06/17 APPR:MSASAO 2008/06/25 REV	GENERAL TOLERANCES (UNLESS SPECIFIED)		DIMENSION STYLE MM ONLY		SCALE ---	DESIGN UNITS METRIC		501591-**11 MODEL No.	
	10 UNDER	± 0.2	DRAWN BY TASAKAWA		DATE 2006/07/10	TITLE 0.4 B-TO-B CONN. REC ASSY (HGT=0.9) EMBSTP PKG			
	10 OVER 30 UNDER	± 0.25	CHECKED BY MSASAO		DATE 2006/07/10	APPROVED BY MSASAO			
	30 OVER	± 0.3	APPROVED BY MSASAO		DATE 2006/07/10	MATERIAL NO. SEE TABLE		DOCUMENT NO. SD-501591-006	
	ANGULAR ± 3 °		DRAFT WHERE APPLICABLE MUST REMAIN WITHIN DIMENSIONS		SIZE A3		THIS DRAWING CONTAINS INFORMATION THAT IS PROPRIETARY TO MOLEX INCORPORATED AND SHOULD NOT BE USED WITHOUT WRITTEN PERMISSION		